



蓝圣智能装备
LASER INTELLIGENT EQUIPMENT

BR.W6直行程系列

选型样本



浙江蓝圣智能装备有限公司
ZHEJIANG LASER INTELLIGENT EQUIPMENT CO.,LTD

公司简介

Company Profile

ZHEJIANG LASEN

INTELLIGENT EQUIPMENT

浙江蓝圣智能装备有限公司，位于风景秀丽的杭州市郊富春江畔，坐落于杭州场口工业园。公司成立于2004年，注册资金1亿元，是集研发、生产、销售、维修控制阀为一体的国家高新技术企业；占地面积10000多平方米，厂房建筑面积约8000平方米，员工110人，其中高级工程师2人，技术工程师8人，中级技工及以上员工15人，大中专文化以上占60%。

公司专业生产各类气动、电动控制阀，并承接控制装置与现场大修、保运等业务，为浙江省高新技术企业，公司已通过ISO9001-2015质量管理体系认证、ISO14001、ISO18001和特种设备制造许可证(编号:TS271047A-2025)、SiL3认证，公司在产品开发过程中，不断引进国际先进技术，采用CAD、CAE、CAM、FEA和有限元分析设计、同时公司设有新产品研发中心、寿命试验中心、高温试验中心、低温试验中心，使所有出厂的产品品质得到保证。公司拥有一支从事多年调节阀研究开发、生产制造和管理、市场销售、成品检验的专业队伍。

经过多年的市场开发和推广,产品已经广泛应用于石化、化工、煤化工、冶金、电力、空分、LNG等各个行业,并一致获得用户的好评。并且积累了大量的工程应用经验,可为广大用户提供专业、可靠、快捷、灵活的全过程工程服务,使用户无后顾之忧。目前企业主要生产高磅级蝶阀、自力式调节阀、气(电)动调节阀、气(电)动切断阀及特种阀门(如锆才、双向钢、各类Ti、哈氏等),产品技术含量高,质量稳定可靠,产品畅销国内外。

公司一直在打造“因为有你,所以更好”的企业文化,同心汇聚,创造辉煌。一贯秉承“用心铸就品质,真心服务用户”的企业经营理念,来赢取用户的尊重和选择。

Zhejiang Lasen intelligent equipment Co., LTD., located in Hangzhou Changkou Industrial Park, is located in the beautiful suburb of Hangzhou Fuchun River bank. Founded in 2004 with a registered capital of 100 million yuan, the company is a national high-tech enterprise integrating research and development, production, sales and maintenance of control valves. Covers an area of more than 10,000 square meters, plant building area of about 8,000 square meters, 110 employees, including 2 senior engineers, 8 technical engineers, intermediate technicians and above 15 employees, college and technical secondary school education accounting for 60%.

The company specializes in the production of all kinds of pneumatic and electric control valves, and to undertake control devices and on-site overhaul, transportation and other businesses, as a high-tech enterprise in Zhejiang Province, The company has passed ISO9001-2015 quality management system certification, ISO14001, ISO18001 and special equipment manufacturing license (No. :TS271047A-2025), SiL3 certification, the company in the process of product development, constantly introduce international advanced technology, Using CAD, CAE, CAM, FEA and finite element analysis and design, the company has new product research and development center, life test center, high temperature test center, low temperature test center, so that all the products of the factory quality is guaranteed. The company has a professional team engaged in the research and development, production and management, marketing and sales of regulating valves for many years.

After years of market development and promotion, the products have been widely used in petrochemical, chemical, coal chemical, metallurgy, electric power, air separation, LNG and other industries, and has been consistently praised by users. And has accumulated a large number of engineering application experience, can provide professional, reliable, fast, flexible whole process engineering services for the majority of users, users have no worries. At present, the enterprise mainly produces high-pound butterfly valve, self-operated regulating valve, gas (electric) regulating valve, gas (electric) cutting valve and special valve (such as zirconium, two-way steel, all kinds of Ti, Hastelloy, etc.), the product technical content is high, the quality is stable and reliable, the products sell well at home and abroad.

The company has been creating a "because of you, so better" corporate culture, concentric convergence, create brilliant. Always adhering to the "hard cast quality, sincere service to users" business philosophy, to win the respect and choice of users.

目录 CONTENTS

BR.W6直行程调节阀系列 BR.W6 STRAIGHT STROKE CONTROL VALVE SERIES

BR.W61系列单座调节阀 BR.W61 Series single seat control valve	01
BR.W61P型单座调节阀 BR.W61P Type single seat control valve	01
BR.W61D型多级降压单座调节阀 BR.W61D Type Multistage depressurization single seat control valve	11
BR.W61F型衬氟单座调节阀 BR.W61F Type fluorine lined single seat control valve	19
BR.W62系列小流量调节阀 BR.W62 Series small flow control valve.....	25
BR.W63系列三通调节阀 BR.W63 Series three way control valve.....	32
BR.W64系列套筒调节阀 BR.W64 Series cage control valve	39
BR.W64M型套筒调节阀 BR.W64M Type cage control valve	39
BR.W64G型笼式单座调节阀 BR.W64G Type cage single seat control valve	49
BR.W64D型多级降压套筒调节阀 BR.W64D Type Multistage depressurization cage control valve	59
BR.W66系列高压调节阀 BR.W66 Series high pressure control valve	67
BR.W67系列低温铝角调节阀 BR.W67 Series low temperature aluminum Angle control valve.....	74
附录Appendix	82
附录A: 阀体的使用温度·压力范围Appendix A: Valve body temperature and pressure range	82
附录B: 阀内件、填料的使用温度·压力范围 Appendix B: Valve Trim、Packing temperature and pressure range.....	84
附录C: 常用材料牌号对照表Appendix C: Comparison table of commonly used material grades	85
附录D: 常用材料选用表Appendix D: Selection list of common materials.....	86
附录E: 型号编制说明 Appendix E: Model specification	88

BR.W61P型单座调节阀

BR.W61P Type single seat control valve

阀本体 VALVE BODY

型式 Type	压力不平衡型 Pressure not balance type
公称通径 Body size	15 ~ 150 mm(1/2" ~ 6")
阀芯型式 Plug style	顶部导向柱塞式 Top guide plunger type
流量特性 Characteristics	等百分比, 线性 Equal percentage, linear
可调比 R Rangeability R	等百分比 Equal percentage 50:1 线性 Linear 50:1
公称压力 Body ratings	PN16,25,40,63,100; ANSI Class 150,300,600
连接方式 Connections	法兰型 (RF、MFM) Flanged(RF、MFM) 焊接型 (SW、BW) Weld ends (SW、BW)
法兰标准 Flange standard	HG/T20592 HG/T20615 ANSI B16.5
阀体及阀盖材质 Body & Bonnet Material	LCB WCB WC6 WC9 CF8 CF8M CF3 CF3M HC-276……
阀内件材质 Valve Trim materials	304;316; 316L 304+R.TFE;316+R.TFE; 316L+R.TFE 304+Stellite;316+Stellite; 316L+Stellite 410;F91;17-4PH; Inconel 718;XM-19;Gr660
上阀盖型式 Bonnet Type	标准型 Standard type -29 ~ +200 °C 散热型 Fin-Extension type +200 ~ +560 °C 波纹管密封型 Bellows seal type -100 ~ +420 °C 低温型 Low temperature type -196 ~ -29 °C
填料 Packing	V型聚四氟乙烯 V-PTFE 柔性石墨 Flexible Graphite
泄漏量 Seat leakage	硬密封 Hard seal: IV级, V级 软密封 Soft seal: VI级
涂层 Painting color	按要求 As required 不锈钢阀体不涂漆 Stainless steel body have no paint

执行机构 ACTUATOR

	薄膜式 Diaphragm type	活塞式 Piston type	全电子式 Solid state electronic type	电动式 Electrodynamic	温度调节 电动执行机构 Temperature regulating electric actuator
用途 Use	调节、开关	调节、开关	调节	开关	调节
弹簧范围 Spring range	80-240KPa	100-300KPa	—	—	—
气源 / 电源 Air supply or power supply	0.4MPa	0.4 ~ 0.6MPa	220V.AC 50Hz 380V.AC 50Hz	220V.AC 50Hz 380V.AC 50Hz	220V.AC 50Hz
接口 Connection	Rc1/4", Rc3/8"	Rc1/4", Rc1/2", Rc3/8"	配线 :2-G1/2"	配线 :2-G1/2"	M27 × 2 (温度传感器接头)
正作用 Direct action	气压增加阀闭 Air to valve shut	气压增加阀闭 Air to valve shut	输入信号增加阀闭 Signal increase to vavle shut	输入信号增加阀闭 Signal increase to vavle shut	输入信号增加阀闭 Signal increase to vavle shut
反作用 Reverse action	气压增加阀开 Air to valve open	气压增加阀开 Air to valve open	输入信号增加阀开 Signal increase to vavle open	输入信号增加阀开 Signal increase to vavle open	输入信号增加阀开 Signal increase to vavle open
死区 Dead band	≤ 1% (带定位器)		≤ 1%	≤ 1%	≤ 1%
回差 Hysteresis	≤ 1.5% (带定位器)		≤ 1.5%	≤ 1.5%	≤ 1.5%
环境温度 Ambient Temp.	-10 ~ +70 °C		-10 ~ +60 °C		-10 ~ +50 °C
可选阀门附件 Optional valve attachment	电气阀门定位器, 过滤减压器, 电磁阀, 限位开关, 保位阀, 手动装置 Electrical valve positioner, filter pressure reducer, solenoid valve, Limit switch, position saving valve, manual device		微动开关、电位器、空间加热器、接线盒、手动手柄等 Microswitch, potentiometer, space heater, junction box, manual handle, etc		

01

额定Cv RATED CV

公称口径 Body size		15 20 25										32	40	50	65	80	100	125	150
		6	7	8	9	10	12	15	20	25									
额定 Cv Rated Cv	线性 L	0.37	0.58	0.93	1.4	2.1	3.3	5.1	8	13	20	33	52	80.5	129	198	319	517	
	等百分比 EQ	0.34	0.53	0.85	1.3	1.9	2.9	4.7	7.4	12	18	30	47	73.5	117	180	290	470	
行程 Stroke		16										25		40		60			

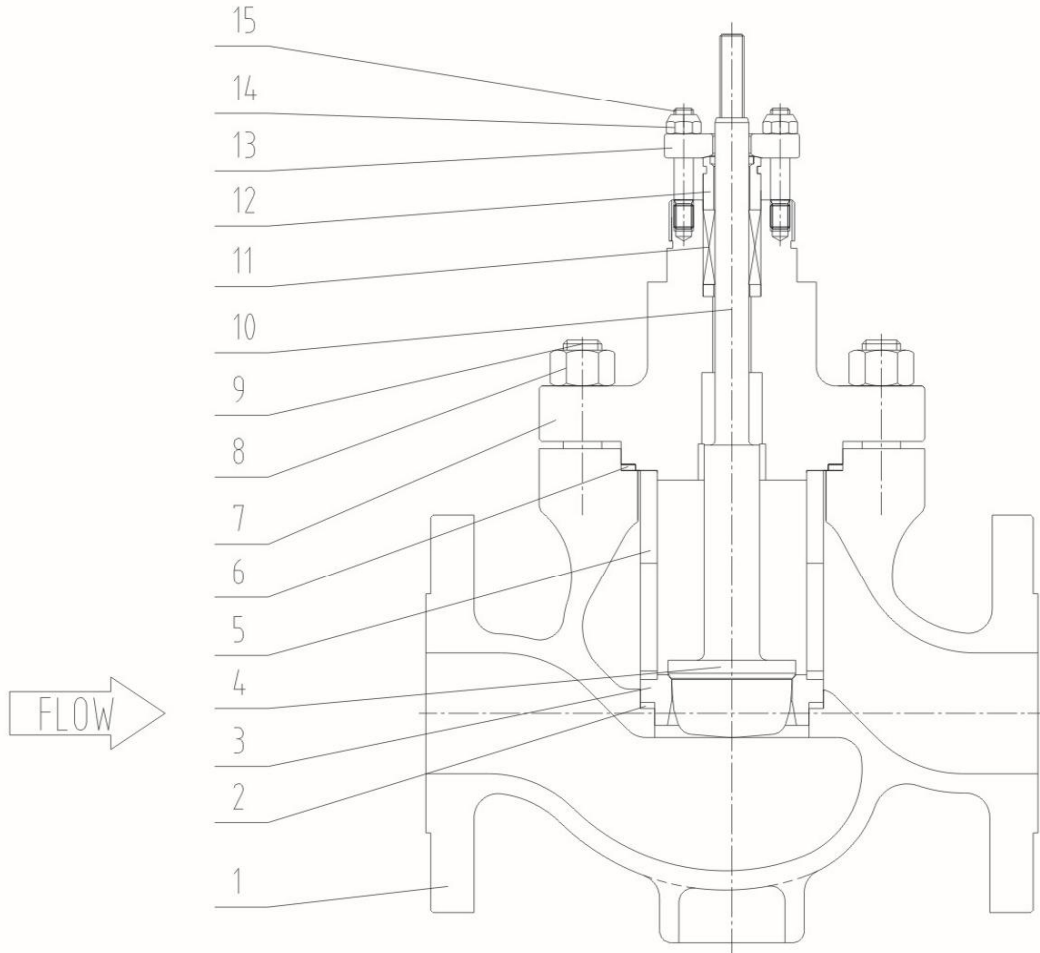
流量特性 FLOW CHARACTERISTICS

阀门开度 % valve opening %			10	20	30	40	50	60	70	80	90	100	
FL			0.93	0.93	0.93	0.93	0.93	0.92	0.92	0.91	0.91	0.90	
阀门口径 Body size	阀座直径 Seat Size	行程 Stroke	线性 Cv Linear Cv										
15 & 20 & 25	6	16	0.04	0.08	0.12	0.15	0.20	0.22	0.26	0.30	0.33	0.37	
	7		0.07	0.13	0.18	0.24	0.30	0.35	0.41	0.47	0.52	0.58	
	8		0.11	0.20	0.29	0.38	0.47	0.57	0.66	0.75	0.84	0.93	
	9		0.17	0.30	0.44	0.58	0.71	0.85	1.00	1.12	1.26	1.4	
	10		0.25	0.45	0.66	0.87	1.07	1.28	1.48	1.69	1.89	2.1	
	12		0.39	0.71	1.04	1.36	1.68	2.01	2.33	2.65	2.98	3.3	
	15		0.60	1.10	1.60	2.10	2.60	3.10	3.60	4.10	4.60	5.1	
	20		0.94	1.73	2.51	3.30	4.08	4.86	5.65	6.43	7.22	8	
	25		1.53	2.81	4.08	5.36	6.63	7.90	9.18	10.45	11.70	13	
32	32	25	2.36	4.32	6.28	8.24	10.20	12.16	14.12	16.08	18.04	20	
40	32		2.36	4.32	6.28	8.24	10.20	12.16	14.12	16.08	18.04	20	
	40		3.89	7.13	10.36	13.60	16.83	20.02	23.30	26.50	29.80	33	
50	32		2.36	4.32	6.28	8.24	10.20	12.16	14.12	16.08	18.04	20	
	40		3.89	7.13	10.36	13.60	16.83	20.02	23.30	26.50	29.80	33	
	50		6.14	11.23	16.33	21.40	26.52	31.62	36.70	41.81	46.90	52	
65	65		40	9.50	17.39	25.28	33.17	41.05	48.94	56.80	64.70	72.60	80.5
80	65			9.50	17.39	25.28	33.17	41.05	48.94	56.80	64.70	72.60	80.5
	80	15.22		27.86	40.50	53.15	65.79	78.43	91.07	103.7	116.4	129	
100	65	9.50		17.39	25.28	33.17	41.05	48.94	56.80	64.70	72.60	80.5	
	80	15.22		27.86	40.50	53.15	65.79	78.43	91.07	103.7	116.4	129	
	100	23.36		42.77	62.17	81.58	100.1	120.4	139.8	159.2	178.6	198	
125	125	60		37.64	68.90	100.2	131.4	162.7	194.0	225.2	256.5	287.7	319
150	125			37.64	68.90	100.2	131.4	162.7	194.0	225.2	256.5	287.7	319
	150		61.00	111.7	162.3	213.0	263.7	314.3	365.0	415.7	466.3	517	

阀门开度 % valve opening %			10	20	30	40	50	60	70	80	90	100	
FL			0.93	0.93	0.93	0.93	0.93	0.92	0.92	0.91	0.91	0.90	
阀门口径 Body size	阀座直径 Seat Size	行程 Stroke	等百分比 Cv Equal percent Cv										
15 & 20 & 25	6	16	0.008	0.011	0.015	0.032	0.05	0.07	0.11	0.16	0.23	0.34	
	7		0.016	0.023	0.034	0.05	0.08	0.11	0.16	0.24	0.36	0.53	
	8		0.03	0.04	0.06	0.08	0.12	0.18	0.26	0.39	0.57	0.85	
	9		0.04	0.06	0.08	0.12	0.18	0.27	0.40	0.59	0.88	1.3	
	10		0.06	0.08	0.12	0.18	0.27	0.40	0.59	0.87	1.28	1.9	
	12		0.09	0.13	0.19	0.28	0.41	0.61	0.90	1.33	1.96	2.9	
	15		0.14	0.21	0.30	0.45	0.67	0.98	1.45	2.15	3.18	4.7	
	20		0.22	0.32	0.478	0.71	1.046	1.55	2.29	3.38	5.00	7.4	
	25		0.35	0.525	0.78	1.14	1.70	2.51	3.71	5.49	8.11	12	
32	32	25	0.53	0.79	1.16	1.72	2.54	3.76	5.56	8.23	12.17	18	
40	32		0.53	0.79	1.16	1.72	2.54	3.76	5.56	8.23	12.17	18	
	40		0.90	1.31	1.94	2.87	4.24	6.27	9.28	13.72	20.89	30	
50	32		0.53	0.79	1.16	1.72	2.54	3.76	5.56	8.23	12.17	18	
	40		0.90	1.31	1.94	2.87	4.24	6.27	9.28	13.72	20.89	30	
	50		1.39	2.05	3.04	4.49	6.65	9.83	14.53	21.49	31.78	47	
65	65		40	2.17	3.21	4.75	7.03	10.39	15.37	22.73	33.60	49.70	73.5
80	65			2.17	3.21	4.75	7.03	10.39	15.37	22.73	33.60	49.70	73.5
	80	3.46		5.11	7.56	11.19	16.54	24.46	36.18	53.50	79.12	117	
100	65	2.17		3.21	4.75	7.03	10.39	15.37	22.73	33.60	49.7	73.5	
	80	3.46		5.11	7.56	11.19	16.54	24.46	36.18	53.50	79.12	117	
	100	5.32		7.87	11.64	17.21	25.45	37.64	55.66	82.31	121.7	180	
125	125	60		8.57	12.68	18.75	27.73	41.04	60.64	89.68	132.6	196.1	290
150	125			8.57	12.68	18.75	27.73	41.04	60.64	89.68	132.6	196.1	290
	150		13.90	20.55	30.40	44.95	66.47	98.29	145.3	214.9	317.8	470	

01

阀体结构BODY CONSTRUCTION



01

序号 NO	名称 Name	序号 NO	名称 Name	序号 NO	名称 Name
1	阀体 Body	6	垫圈 Gasket	11	填料 Packing
2	垫圈 Gasket	7	阀盖 Bonnet	12	压套 Pressing sleeve
3	阀座 Seat	8	六角螺母 Nut	13	压板 Pressure plate
4	阀芯 Plug	9	双头螺柱 Double end studs	14	六角螺母 Nut
5	套筒 Cage	10	阀杆 Stem	15	双头螺柱 Double end studs

最大允许压差(单位: MPa)
MAXIMAL ALLOWABLE PRESSURE DROPS (UNIT: MPa)

气动薄膜执行机构 Diaphragm actuator

正作用 (单位 :MPa) Direct action (UNIT: MPa)

执行机构 Actuator	弹簧范围 KPa Spring range	气源压力 MPa Air pressure	密封形式 Sealing form	阀座直径 Seat Size											
				15	20	25	32	40	50	65	80	100	125	150	
HD2	80-240	0.40	金属密封	9.9	7.84	5.68	3.8	2.73	1.73						
			软密封	3	3	3	3	2.36	1.51						
HD3	80-240	0.40	金属密封								1.37	0.98	0.57		
			软密封								1.22	0.86	0.5		
HD4	80-240	0.40	金属密封											0.66	0.46
			软密封											0.6	0.41

气动薄膜执行机构 Diaphragm actuator

反作用 (单位 :MPa) Reverse action (UNIT: MPa)

执行机构 Actuator	弹簧范围 KPa Spring range	气源压力 MPa Air pressure	密封形式 Sealing form	阀座直径 Seat Size											
				15	20	25	32	40	50	65	80	100	125	150	
HR2	80-240	0.40	金属密封	8.12	6.13	4.43	2.97	2.13	1.34						
			软密封	3	3	3	2.54	1.82	1.16						
HR3	80-240	0.40	金属密封								1.11	0.73	0.47		
			软密封								1.05	0.68	0.42		
HR4	80-240	0.40	金属密封											0.52	0.36
			软密封											0.46	0.31

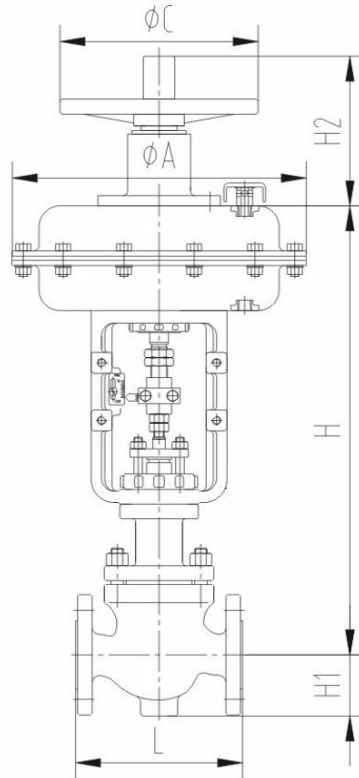
注： 1、阀门实际上允许压差应不超过各压力等级下阀门所允许使用的最大压力；
2、波纹管密封调节阀的允许压差应不超过波纹管所允许的最大使用压力。

Note: 1. The actual allowable differential pressure of the valve should not exceed the maximum allowable pressure of the valve under each pressure level;

2. The allowable differential pressure of bellows sealing regulating valve should not exceed the maximum allowable use pressure of bellows.

外形尺寸DIMENSIONS

气动薄膜式 Diaphragm type



标准型、散热型、波纹管密封型外形尺寸 单位：mm
 Standard type, Fin-Extension type, Bellows seal type (UNIT: mm)

公称通径 Body size		L			H			H1	A	C	H2
DN	IN	PN16 150LB	PN40 300LB	PN63,100 600LB	标准型 Standard type	散热型 Fin- Extension type	波纹管型 Bellows seal type				
15	1/2"	184	194	206	480	560	630	70	282	220	180
20	3/4"	184	194	206	480	560	635	70	282	220	180
25	1"	184	197	210	485	565	640	70	282	220	180
32	1-1/4"	200	210	222	500	580	705	80	282	220	180
40	1-1/2"	222	235	251	511	590	715	90	282	220	180
50	2"	254	267	286	545	625	730	95	282	220	180
65	2-1/2"	276	292	311	645	730	980	115	355	270	240
80	3"	298	318	337	650	740	990	125	355	270	240
100	4"	352	368	394	680	760	990	135	355	270	240
125	5"	403	425	460	835	920	1200	165	470	320	310
150	6"	451	473	508	920	1020	1260	190	470	320	310

注：手轮机构为非标配阀门附件，可按客户要求选配。

PN2.5MPa 按口径大小决定阀门 L 长度。

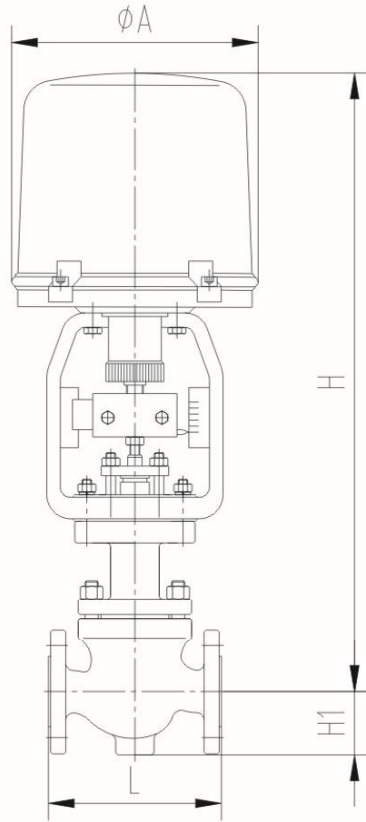
Note: handwheel mechanism is not standard with valve accessories, can be selected according to customer requirements.

PN2.5mpa Determines the length of valve L according to the diameter.

BR.W6 系列直行程调节阀
BR.W6 SERIES STRAIGHT STROKE ONTROL VALVE



全电子式 Solid state electronic type



01

标准型、散热型、波纹管密封型外形尺寸 单位 : mm
Standard type, Fin-Extension type, Bellows seal type (UNIT: mm)

公称通径 Body size		L			H			H1	A
DN	IN	PN16 ANSI150LB	PN40 ANSI300LB	PN63,100 ANSI1600LB	标准型 Standard type	散热型 Fin- Extension type	波纹管型 Bellows seal type		
15	1/2 "	184	194	206	520	600	675	70	260
20	3/4 "	184	194	206	520	600	675	70	260
25	1 "	184	197	210	525	605	680	70	260
32	1-1/4 "	200	210	222	670	750	875	80	260
40	1-1/2 "	222	235	251	680	760	885	90	260
50	2 "	254	267	286	715	795	900	95	260
65	2-1/2 "	276	292	311	750	835	1085	115	290
80	3 "	298	318	337	755	845	1095	125	290
100	4 "	352	368	394	785	865	1095	135	290
125	5 "	403	425	460	995	1090	1360	165	370
150	6 "	451	473	508	1080	1180	1420	190	370

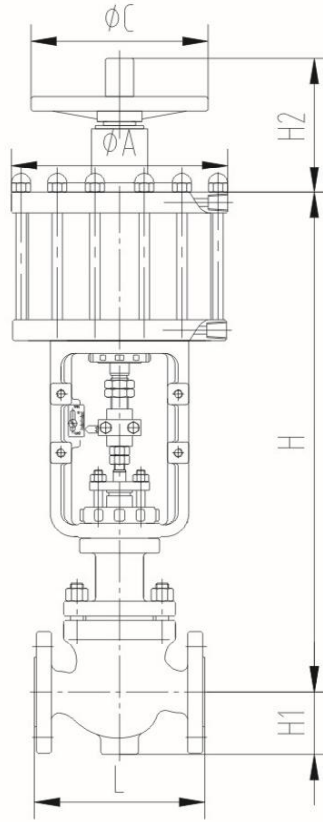
注：手轮机构为非标配阀门附件，可按客户要求选配。

PN2.5MPa 按口径大小决定阀门 L 长度。

Note: handwheel mechanism is not standard with valve accessories, can be selected according to customer requirements.

PN2.5mpa Determines the length of valve L according to the diameter.

气动活塞式 Piston type



标准型、散热型、波纹管密封型外形尺寸 单位：mm
 Standard type, Fin-Extension type, Bellows seal type (UNIT: mm)

公称通径 Body size		L			H			H1	A	C	H2
DN	IN	PN16 150LB	PN40 300LB	PN63,100 600LB	标准型 Standard type	散热型 Fin- Extension type	波纹管型 Bellows seal type				
15	1/2 "	184	194	206	490	570	645	70	150	220	180
20	3/4 "	184	194	206	490	570	645	70	150	220	180
25	1 "	184	197	210	495	575	650	70	150	220	180
32	1-1/4 "	200	210	222	560	640	760	80	200	220	180
40	1-1/2 "	222	235	251	570	650	775	90	200	220	180
50	2 "	254	267	286	605	685	790	95	200	220	180
65	2-1/2 "	276	292	311	705	790	1040	115	215	270	240
80	3 "	298	318	337	710	800	1050	125	215	270	240
100	4 "	352	368	394	740	820	1050	135	215	270	240
125	5 "	403	425	460	895	980	1260	165	325	320	310
150	6 "	451	473	508	980	1080	1320	190	325	320	310

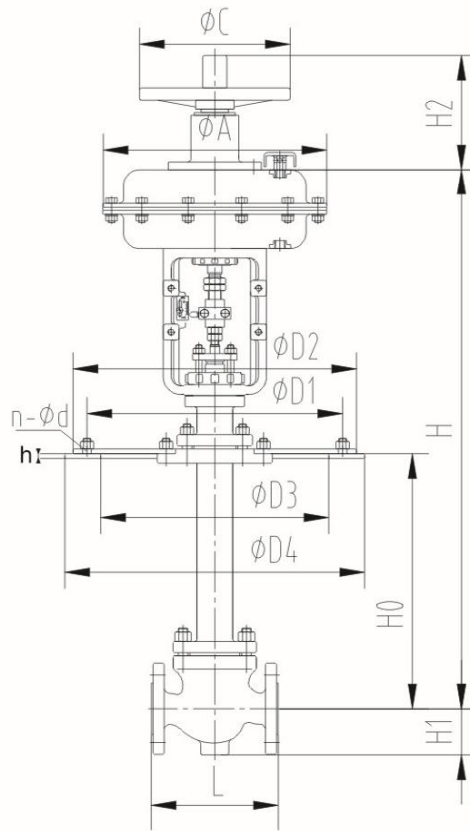
注：手轮机构为非标配阀门附件，可按客户要求选配。

PN2.5MPa 按口径大小决定阀门 L 长度。

Note: handwheel mechanism is not standard with valve accessories, can be selected according to customer requirements.

PN2.5mpa Determines the length of valve L according to the diameter.

低温型 Low temperature type



低温型外形尺寸 单位：mm
Low temperature type (UNIT: mm)

公称通径 Body size		L		H0							D1	D2	D3	D4	n-d	h	H1	A	C	H2
				400	500	600	700	800	900											
DN	IN	PN16	PN64	H																
15	1/2"	184	194	980	1080	1180	1280	1380	1480	260	290	230	310	8-14	15	70	150	220	180	
20	3/4"	184	194	980	1080	1180	1280	1380	1480	260	290	230	310	8-14	15	70	150	220	180	
25	1"	184	197	980	1080	1180	1280	1380	1480	260	290	230	310	8-14	15	70	150	220	180	
32	1-1/4"	200	210	1000	1100	1200	1300	1400	1500	285	315	255	335	8-14	15	80	200	220	180	
40	1-1/2"	222	235	1000	1100	1200	1300	1400	1500	305	335	275	355	8-16	18	90	200	220	180	
50	2"	254	267	1005	1105	1205	1305	1405	1505	340	370	310	390	8-16	18	95	200	220	180	
65	2-1/2"	276	292	1150	1250	1350	1450	1550	1650	370	400	330	420	10-16	18	115	215	270	240	
80	3"	298	318	1150	1250	1350	1450	1550	1650	405	435	375	455	10-16	18	125	215	270	240	
100	4"	352	368	1168	1268	1368	1468	1568	1668	460	490	430	510	12-18	20	135	215	270	240	
125	5"	403	425	1278	1378	1478	1578	1678	1778	525	555	505	575	14-18	20	165	325	320	310	
150	6"	451	473	1352	1452	1552	1652	1752	1852	590	630	560	660	16-18	20	190	325	320	310	

注：手轮机构为非标配阀门附件，可按客户要求选配。

PN2.5MPa 按口径大小决定阀门 L 长度。

Note: handwheel mechanism is not standard with valve accessories, can be selected according to customer requirements.

PN2.5mpa Determines the length of valve L according to the diameter.

BR.W61D型多级降压单座调节阀

BR.W61D Type Multistage depressurization single seat control valve

阀本体 VALVE BODY

型式 Type	压力不平衡型 Pressure not balance type
公称通径 Body size	15 ~ 150 mm(1/2" ~ 6")
阀芯型式 Plug style	顶部导向柱塞式 Top guide plunger type
流量特性 Characteristics	等百分比, 线性 Equal percentage, linear
可调比 R Rangeability R	等百分比 Equal percentage 50:1 线性 Linear 50:1
公称压力 Body ratings	PN16,25,40,63,100; ANSI Class 150,300,600
连接方式 Connections	法兰型 (RF、MFM) Flanged(RF、MFM) 焊接型 (SW、BW) Weld ends (SW、BW)
法兰标准 Flange standard	HG/T20592 HG/T20615 ANSI B16.5
阀体及阀盖材质 Body & Bonnet Material	LCB WCB WC6 WC9 CF8 CF8M CF3 CF3M HC-276……
阀内件材质 Valve Trim materials	304;316; 316L 304+R.TFE;316+R.TFE; 316L+R.TFE 304+Stellite;316+Stellite; 316L+Stellite 410;F91;17-4PH; Inconel 718;XM-19;Gr660
上阀盖型式 Bonnet Type	标准型 Standard type -29 ~ +200 °C 散热型 Fin-Extension type +200 ~ +560 °C 波纹管密封型 Bellows seal type -100 ~ +420 °C 低温型 Low temperature type -196 ~ -29 °C
填料 Packing	V 型聚四氟乙烯 V-PTFE 柔性石墨 Flexible Graphite
泄漏量 Seat leakage	硬密封 Hard seal: IV 级, V 级 软密封 Soft seal: VI 级
涂层 Painting color	按要求 As required 不锈钢阀体不涂漆 Stainless steel body have no paint

执行机构 ACTUATOR

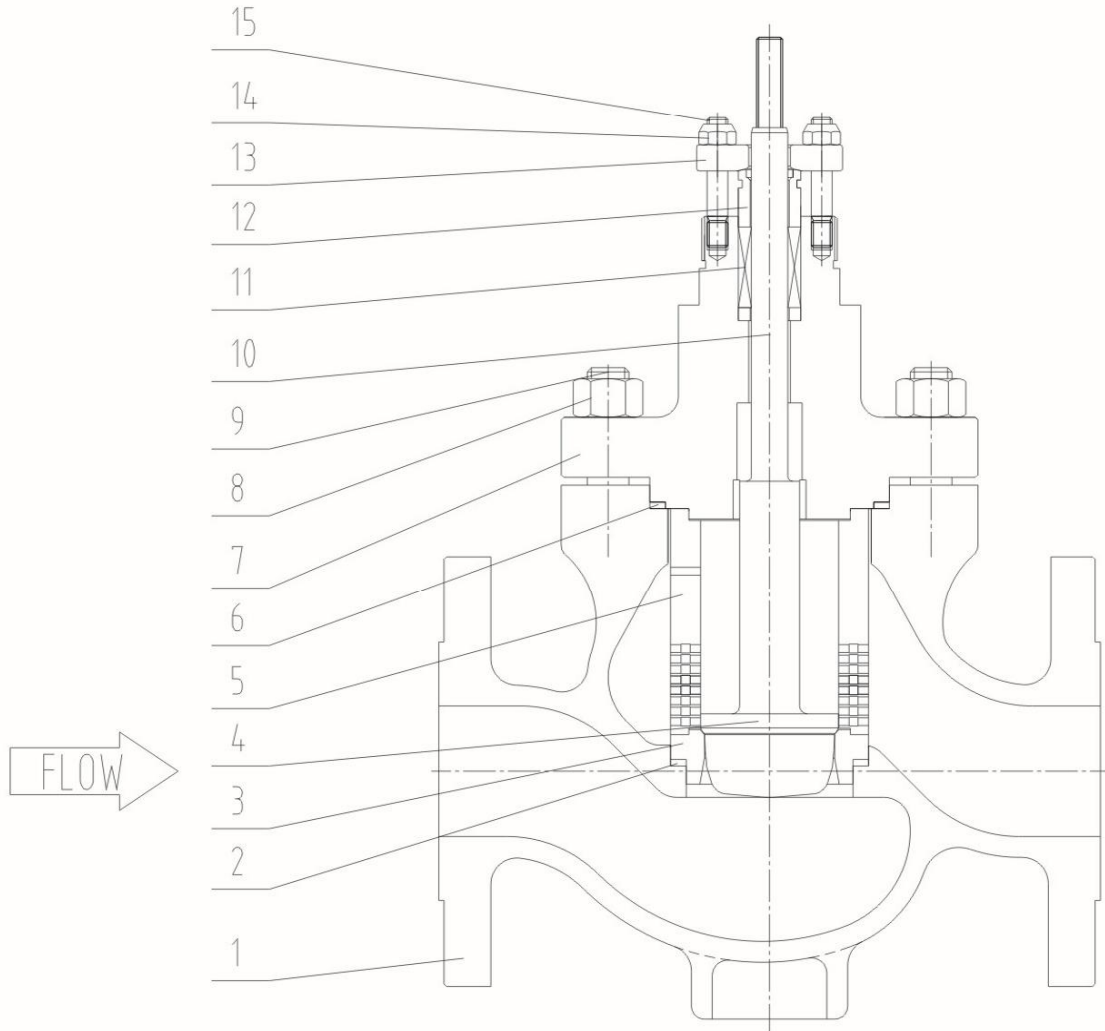
	薄膜式 Diaphragm type	活塞式 Piston type	全电子式 Solid state electronic type	电动式 Electrodynamic	温度调节 电动执行机构 Temperature regulating electric actuator
用途 Use	调节、开关	调节、开关	调节	开关	调节
弹簧范围 Spring range	80-240KPa	100-300KPa	—	—	—
气源 / 电源 Air supply or power supply	0.4MPa	0.4 ~ 0.6MPa	220V.AC 50Hz 380V.AC 50Hz	220V.AC 50Hz 380V.AC 50Hz	220V.AC 50Hz
接口 Connection	Rc1/4", Rc3/8"	Rc1/4", Rc1/2", Rc3/8"	配线 :2-G1/2"	配线 :2-G1/2"	M27 × 2 (温度传感器接头)
正作用 Direct action	气压增加阀闭 Air to valve shut	气压增加阀闭 Air to valve shut	输入信号增加阀闭 Signal increase to vavle shut	输入信号增加阀闭 Signal increase to vavle shut	输入信号增加阀闭 Signal increase to vavle shut
反作用 Reverse action	气压增加阀开 Air to valve open	气压增加阀开 Air to valve open	输入信号增加阀开 Signal increase to vavle open	输入信号增加阀开 Signal increase to vavle open	输入信号增加阀开 Signal increase to vavle open
死区 Dead band	≤ 1% (带定位器)		≤ 1%	≤ 1%	≤ 1%
回差 Hysteresis	≤ 1.5% (带定位器)		≤ 1.5%	≤ 1.5%	≤ 1.5%
环境温度 Ambient Temp.	-10 ~ +70 °C		-10 ~ +60 °C		-10 ~ +50 °C
可选阀门附件 Optional valve attachment	电气阀门定位器, 过滤减压器, 电磁阀, 限位开关, 保位阀, 手动装置 Electrical valve positioner, filter pressure reducer, solenoid valve, Limit switch, position saving valve, manual device		微动开关、电位器、空间加热器、接线盒、手动手柄等 Microswitch, potentiometer, space heater, junction box, manual handle, etc		

02

额定Cv RATED CV

公称口径 Body size		15 20 25										32	40	50	65	80	100	125	150
		6	7	8	9	10	12	15	20	25									
额定 Cv Rated Cv	线性 L	0.34	0.53	0.85	1.23	1.6	2.5	3.8	6.3	11	16	26	41	65	102	157	250	386	
	等百分比 EQ	0.34	0.52	0.81	1.16	1.5	2.3	3.6	6.0	10	15	24	38	61	95	95	235	365	
行程 Stroke		16										25		40		60			

阀体结构 BODY CONSTRUCTION



02

序号 NO	名称 Name	序号 NO	名称 Name	序号 NO	名称 Name
1	阀体 Body	6	垫圈 Gasket	11	填料 Packing
2	垫圈 Gasket	7	阀盖 Bonnet	12	压套 Pressing sleeve
3	阀座 Seat	8	六角螺母 Nut	13	压板 Pressure plate
4	阀芯 Plug	9	双头螺柱 Double end studs	14	六角螺母 Nut
5	套筒 Cage	10	阀杆 Stem	15	双头螺柱 Double end studs

最大允许压差(单位: MPa)
MAXIMAL ALLOWABLE PRESSURE DROPS (UNIT: MPa)

气动薄膜执行机构 Diaphragm actuator

正作用 (单位 :MPa) Direct action (UNIT: MPa)

执行机构 Actuator	弹簧范围 KPa Spring range	气源压力 MPa Air pressure	密封形式 Sealing form	阀座直径 Seat Size											
				15	20	25	32	40	50	65	80	100	125	150	
HD2	80-240	0.40	金属密封	9.9	7.84	5.68	3.8	2.73	1.73						
			软密封	3	3	3	3	2.36	1.51						
HD3	80-240	0.40	金属密封								1.37	0.98	0.57		
			软密封								1.22	0.86	0.5		
HD4	80-240	0.40	金属密封											0.66	0.46
			软密封											0.6	0.41

气动薄膜执行机构 Diaphragm actuator

反作用 (单位 :MPa) Reverse action (UNIT: MPa)

执行机构 Actuator	弹簧范围 KPa Spring range	气源压力 MPa Air pressure	密封形式 Sealing form	阀座直径 Seat Size											
				15	20	25	32	40	50	65	80	100	125	150	
HR2	80-240	0.40	金属密封	8.12	6.13	4.43	2.97	2.13	1.34						
			软密封	3	3	3	2.54	1.82	1.16						
HR3	80-240	0.40	金属密封								1.11	0.73	0.47		
			软密封								1.05	0.68	0.42		
HR4	80-240	0.40	金属密封											0.52	0.36
			软密封											0.46	0.31

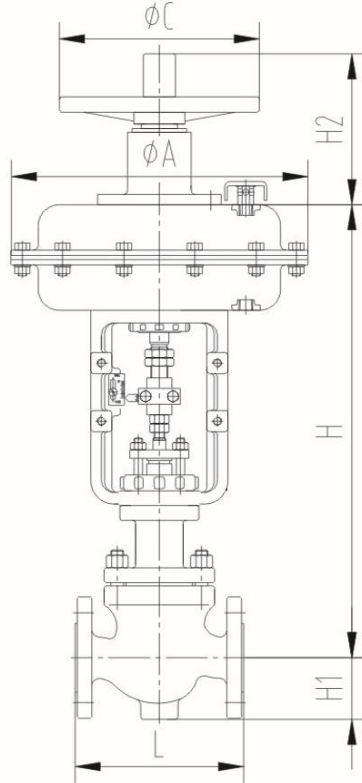
注： 1、阀门实际上允许压差应不超过各压力等级下阀门所允许使用的最大压力；
2、波纹管密封调节阀的允许压差应不超过波纹管所允许的最大使用压力。

Note: 1. The actual allowable differential pressure of the valve should not exceed the maximum allowable pressure of the valve under each pressure level;

2. The allowable differential pressure of bellows sealing regulating valve should not exceed the maximum allowable use pressure of bellows.

外形尺寸DIMENSIONS

气动薄膜式 Diaphragm type



标准型、散热型、波纹管密封型外形尺寸 单位：mm
 Standard type, Fin-Extension type, Bellows seal type (UNIT: mm)

公称通径 Body size		L			H			H1	A	C	H2
DN	IN	PN16 150LB	PN40 300LB	PN63,100 600LB	标准型 Standard type	散热型 Fin- Extension type	波纹管型 Bellows seal type				
15	1/2"	184	194	206	480	560	630	70	282	220	180
20	3/4"	184	194	206	480	560	635	70	282	220	180
25	1"	184	197	210	485	565	640	70	282	220	180
32	1-1/4"	200	210	222	500	580	705	80	282	220	180
40	1-1/2"	222	235	251	511	590	715	90	282	220	180
50	2"	254	267	286	545	625	730	95	282	220	180
65	2-1/2"	276	292	311	645	730	980	115	355	270	240
80	3"	298	318	337	650	740	990	125	355	270	240
100	4"	352	368	394	680	760	990	135	355	270	240
125	5"	403	425	460	835	920	1200	165	470	320	310
150	6"	451	473	508	920	1020	1260	190	470	320	310

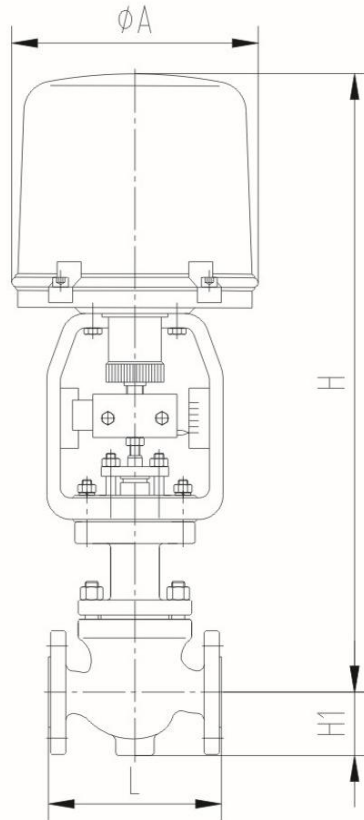
注：手轮机构为非标配阀门附件，可按客户要求选配。

PN2.5MPa 按口径大小决定阀门 L 长度。

Note: handwheel mechanism is not standard with valve accessories, can be selected according to customer requirements.

PN2.5mpa Determines the length of valve L according to the diameter.

全电子式 Solid state electronic type



标准型、散热型、波纹管密封型外形尺寸 单位：mm
Standard type, Fin-Extension type, Bellows seal type (UNIT: mm)

公称通径 Body size		L			H			H1	A
DN	IN	PN16 ANSI150LB	PN40 ANSI300LB	PN63,100 ANSI1600LB	标准型 Standard type	散热型 Fin- Extension type	波纹管型 Bellows seal type		
15	1/2 "	184	194	206	520	600	675	70	260
20	3/4 "	184	194	206	520	600	675	70	260
25	1 "	184	197	210	525	605	680	70	260
32	1-1/4 "	200	210	222	670	750	875	80	260
40	1-1/2 "	222	235	251	680	760	885	90	260
50	2 "	254	267	286	715	795	900	95	260
65	2-1/2 "	276	292	311	750	835	1085	115	290
80	3 "	298	318	337	755	845	1095	125	290
100	4 "	352	368	394	785	865	1095	135	290
125	5 "	403	425	460	995	1090	1360	165	370
150	6 "	451	473	508	1080	1180	1420	190	370

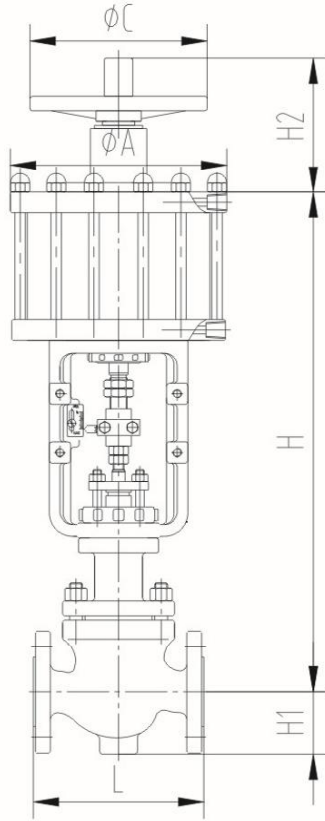
注：手轮机构为非标配阀门附件，可按客户要求选配。

PN2.5MPa 接口径大小决定阀门 L 长度。

Note: handwheel mechanism is not standard with valve accessories, can be selected according to customer requirements.

PN2.5mpa Determines the length of valve L according to the diameter.

气动活塞式 Piston type



标准型、散热型、波纹管密封型外形尺寸 单位：mm
 Standard type, Fin-Extension type, Bellows seal type (UNIT: mm)

公称通径 Body size		L			H			H1	A	C	H2
DN	IN	PN16 150LB	PN40 300LB	PN63,100 600LB	标准型 Standard type	散热型 Fin- Extension type	波纹管型 Bellows seal type				
15	1/2 "	184	194	206	490	570	645	70	150	220	180
20	3/4 "	184	194	206	490	570	645	70	150	220	180
25	1 "	184	197	210	495	575	650	70	150	220	180
32	1-1/4 "	200	210	222	560	640	760	80	200	220	180
40	1-1/2 "	222	235	251	570	650	775	90	200	220	180
50	2 "	254	267	286	605	685	790	95	200	220	180
65	2-1/2 "	276	292	311	705	790	1040	115	215	270	240
80	3 "	298	318	337	710	800	1050	125	215	270	240
100	4 "	352	368	394	740	820	1050	135	215	270	240
125	5 "	403	425	460	895	980	1260	165	325	320	310
150	6 "	451	473	508	980	1080	1320	190	325	320	310

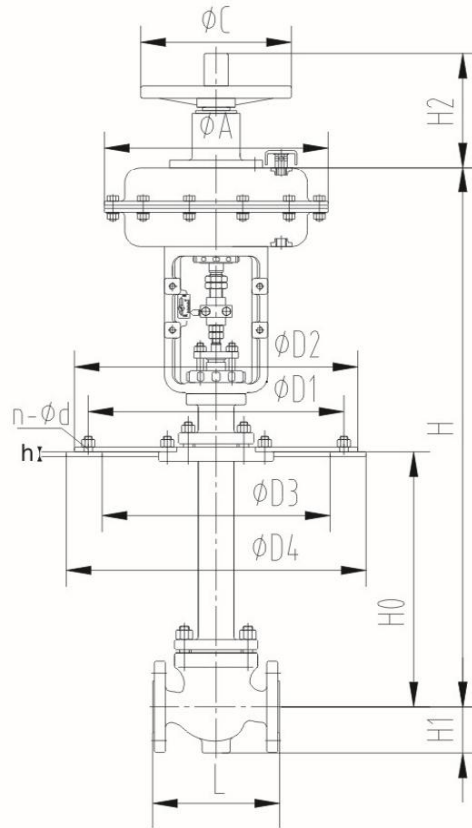
注：手轮机构为非标配阀门附件，可按客户要求选配。

PN2.5MPa 按口径大小决定阀门 L 长度。

Note: handwheel mechanism is not standard with valve accessories, can be selected according to customer requirements.

PN2.5mpa Determines the length of valve L according to the diameter.

低温型 Low temperature type



低温型外形尺寸 单位：mm
Low temperature type (UNIT: mm)

公称通径 Body size		L		H0							D1	D2	D3	D4	n-d	h	H1	A	C	H2
				400	500	600	700	800	900											
DN	IN	PN16	PN64	H																
15	1/2"	184	194	980	1080	1180	1280	1380	1480	260	290	230	310	8-14	15	70	150	220	180	
20	3/4"	184	194	980	1080	1180	1280	1380	1480	260	290	230	310	8-14	15	70	150	220	180	
25	1"	184	197	980	1080	1180	1280	1380	1480	260	290	230	310	8-14	15	70	150	220	180	
32	1-1/4"	200	210	1000	1100	1200	1300	1400	1500	285	315	255	335	8-14	15	80	200	220	180	
40	1-1/2"	222	235	1000	1100	1200	1300	1400	1500	305	335	275	355	8-16	18	90	200	220	180	
50	2"	254	267	1005	1105	1205	1305	1405	1505	340	370	310	390	8-16	18	95	200	220	180	
65	2-1/2"	276	292	1150	1250	1350	1450	1550	1650	370	400	330	420	10-16	18	115	215	270	240	
80	3"	298	318	1150	1250	1350	1450	1550	1650	405	435	375	455	10-16	18	125	215	270	240	
100	4"	352	368	1168	1268	1368	1468	1568	1668	460	490	430	510	12-18	20	135	215	270	240	
125	5"	403	425	1278	1378	1478	1578	1678	1778	525	555	505	575	14-18	20	165	325	320	310	
150	6"	451	473	1352	1452	1552	1652	1752	1852	590	630	560	660	16-18	20	190	325	320	310	

注：手轮机构为非标配阀门附件，可按客户要求选配。

PN2.5MPa 按口径大小决定阀门 L 长度。

Note: handwheel mechanism is not standard with valve accessories, can be selected according to customer requirements.

PN2.5mpa Determines the length of valve L according to the diameter.

BR.W61F型衬氟单座调节阀

BR.W61F Type fluorine lined single seat control valve

阀本体 VALVE BODY

型式 Type	压力不平衡型 Pressure not balance type
公称通径 Body size	15 ~ 150 mm(1/2" ~ 6")
阀芯型式 Plug style	顶部导向柱塞式 Top guide plunger type
流量特性 Characteristics	等百分比, 线性 Equal percentage, linear
可调比 R Rangeability R	等百分比 Equal percentage 50:1 线性 Linear 50:1
公称压力 Body ratings	PN16,25,40; ANSI Class 150,300
连接方式 Connections	法兰型 (RF、MFM) Flanged(RF、MFM)
法兰标准 Flange standard	HG/T20592 HG/T20615 ANSI B16.5
阀体及阀盖材质 Body & Bonnet Material	WCB CF8 CF8M CF3 CF3M 铸件内衬 F46 等耐腐蚀材料 WCB CF8 CF8M CF3 CF3M Casting lining F46 and other corrosion resistant materials
阀内件材质 Valve Trim materials	304 316 316L 内衬 F46 等耐腐蚀材料 304 316 316L is lined with F46 and other corrosion resistant materials 304 316 316L+ F46 波纹管 Bellows
上阀盖型式 Bonnet Type	标准型 Standard type -29 ~ +200 °C
填料 Packing	V 型聚四氟乙烯 V-PTFE
泄漏量 Seat leakage	软密封 Soft seal: VI 级
涂层 Painting color	按要求 As required 不锈钢阀体不涂漆 Stainless steel body have no paint

执行机构 ACTUATOR

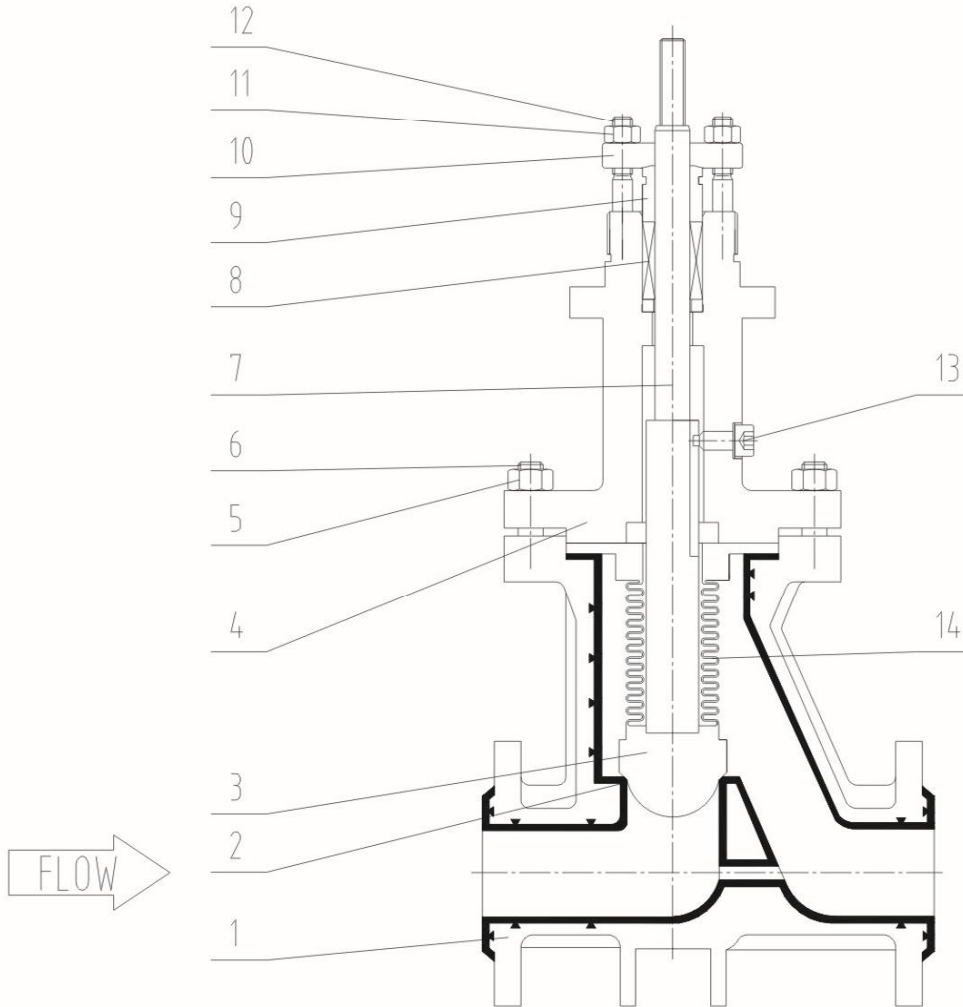
	薄膜式 Diaphragm type	活塞式 Piston type	全电子式 Solid state electronic type	电动式 Electrodynamic	温度调节 电动执行机构 Temperature regulating electric actuator
用途 Use	调节、开关	调节、开关	调节	开关	调节
弹簧范围 Spring range	80-240KPa	100-300KPa	—	—	—
气源 / 电源 Air supply or power supply	0.4MPa	0.4 ~ 0.6MPa	220V.AC 50Hz 380V.AC 50Hz	220V.AC 50Hz 380V.AC 50Hz	220V.AC 50Hz
接口 Connection	Rc1/4", Rc3/8"	Rc1/4", Rc1/2", Rc3/8"	配线 :2-G1/2"	配线 :2-G1/2"	M27 × 2 (温度传感器接头)
正作用 Direct action	气压增加阀闭 Air to valve shut	气压增加阀闭 Air to valve shut	输入信号增加阀闭 Signal increase to vavle shut	输入信号增加阀闭 Signal increase to vavle shut	输入信号增加阀闭 Signal increase to vavle shut
反作用 Reverse action	气压增加阀开 Air to valve open	气压增加阀开 Air to valve open	输入信号增加阀开 Signal increase to vavle open	输入信号增加阀开 Signal increase to vavle open	输入信号增加阀开 Signal increase to vavle open
死区 Dead band	≤ 1% (带定位器)		≤ 1%	≤ 1%	≤ 1%
回差 Hysteresis	≤ 1.5% (带定位器)		≤ 1.5%	≤ 1.5%	≤ 1.5%
环境温度 Ambient Temp.	-10 ~ +70 °C		-10 ~ +60 °C		-10 ~ +50 °C
可选阀门附件 Optional valve attachment	电气阀门定位器, 过滤减压器, 电磁阀, 限位开关, 保位阀, 手动装置 Electrical valve positioner, filter pressure reducer, solenoid valve, Limit switch, position saving valve, manual device		微动开关、电位器、空间加热器、接线盒、手动手柄等 Microswitch, potentiometer, space heater, junction box, manual handle, etc		

额定Cv RATED CV

公称通径 Body size		15 20 25										32	40	50	65	80	100	125	150	200
		6	7	8	9	10	12	15	20	25										
额定 Cv Rated Cv	线性 L	0.4	0.93	1.03	1.2	1.5	2.5	4.1	6.6	11	16	27	44	77	110	193	259	361	515	
	等百分比 EQ	0.34	0.85	0.94	1.1	1.4	2.3	3.7	6	10	14	24	40	70	100	175	235	328	468	
行程 Stroke		16										25		40		60				

阀体结构 BODY CONSTRUCTION

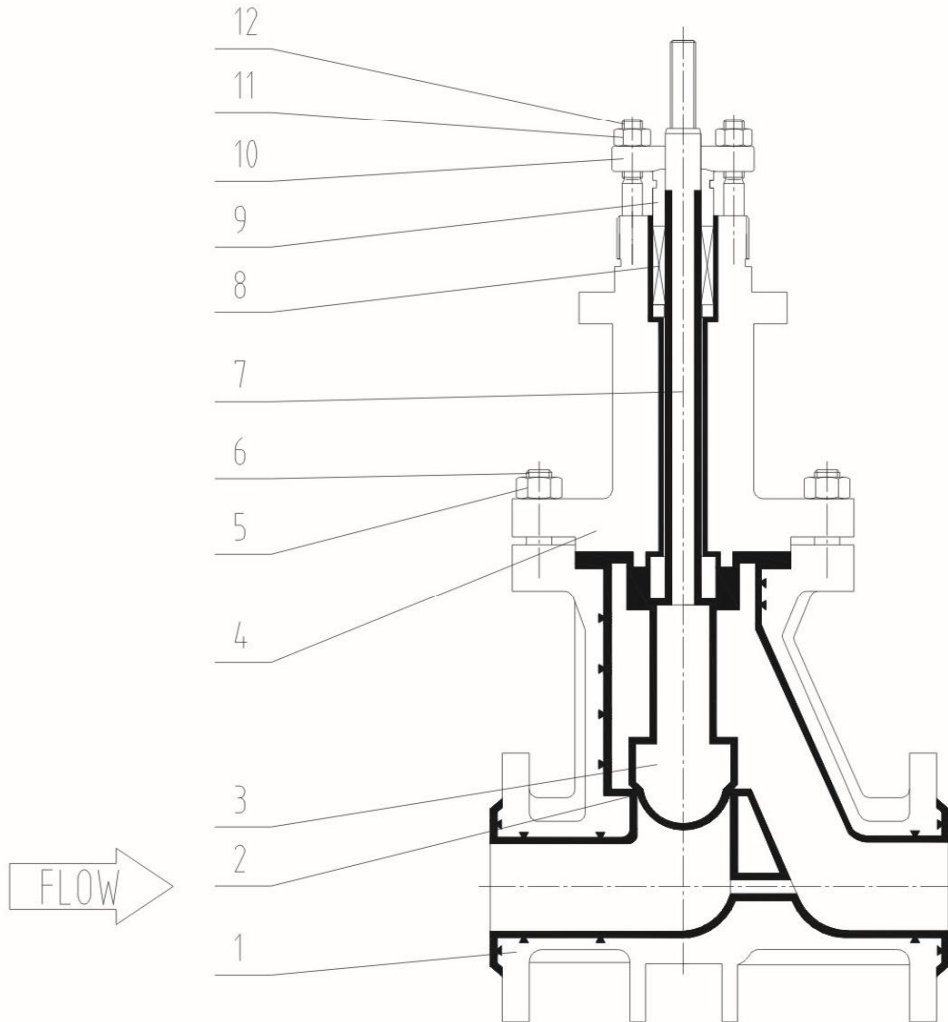
波纹管密封结构 Bellows seal construction



03

序号 NO	名称 Name	序号 NO	名称 Name
1	阀体 Body	8	填料 Packing
2	阀座 Seat	9	压套 Pressing sleeve
3	阀芯 Plug	10	压板 Pressure plate
4	阀盖 Bonnet	11	六角螺母 Nut
5	六角螺母 Nut	12	双头螺柱 Double end studs
6	双头螺柱 Double end studs	13	防转销 Stop pin
7	阀杆 Stem	14	波纹管 Bellows

填料密封结构 Packing seal construction



序号 NO	名称 Name	序号 NO	名称 Name
1	阀体 Body	7	阀杆 Stem
2	阀座 Seat	8	填料 Packing
3	阀芯 Plug	9	压套 Pressing sleeve
4	阀盖 Bonnet	10	压板 Pressure plate
5	六角螺母 Nut	11	六角螺母 Nut
6	双头螺柱 Double end studs	12	双头螺柱 Double end studs

最大允许压差(单位: MPa) MAXIMAL ALLOWABLE PRESSURE DROPS (UNIT: MPa)

气动薄膜执行机构 Diaphragm actuator

正作用 (单位 :MPa) Direct action (UNIT: MPa)

执行机构 Actuator	弹簧范围 KPa Spring range	气源压力 MPa Air pressure	密封形式 Sealing form	阀座直径 Seat Size												
				15	20	25	32	40	50	65	80	100	125	150	200	
HD2	80-240	0.40	金属密封	1.0	1.0	1.0	1.0	1.0	1.0							
			软密封	0.7	0.7	0.7	0.7	0.7	0.7							
HD3	80-240	0.40	金属密封								0.6	0.6	0.5			
			软密封								0.6	0.6	0.5			
HD4	80-240	0.40	金属密封											0.6	0.4	0.3
			软密封											0.6	0.4	0.3

03

气动薄膜执行机构 Diaphragm actuator

反作用 (单位 :MPa) Reverse action (UNIT: MPa)

执行机构 Actuator	弹簧范围 KPa Spring range	气源压力 MPa Air pressure	密封形式 Sealing form	阀座直径 Seat Size												
				15	20	25	32	40	50	65	80	100	125	150		
HR2	80-240	0.40	金属密封	1.0	1.0	1.0	1.0	1.0	1.0							
			软密封	0.7	0.7	0.7	0.7	0.7	0.7							
HR3	80-240	0.40	金属密封								0.6	0.6	0.5			
			软密封								0.6	0.6	0.5			
HR4	80-240	0.40	金属密封											0.5	0.3	0.2
			软密封											0.5	0.3	0.2

注: 1、阀门实际上允许压差应不超过各压力等级下阀门所允许使用的最大压力;

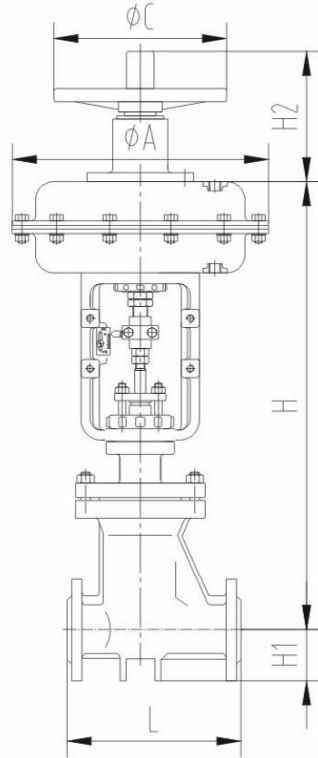
2、波纹管密封调节阀的允许压差应不超过波纹管所允许的最大使用压力。

Note: 1. The actual allowable differential pressure of the valve should not exceed the maximum allowable pressure of the valve under each pressure level;

2. The allowable differential pressure of bellows sealing regulating valve should not exceed the maximum allowable use pressure of bellows.

外形尺寸DIMENSIONS

气动薄膜式 Diaphragm type



标准型、散热型、波纹管密封型外形尺寸 单位：mm
Standard type, Fin-Extension type, Bellows seal type (UNIT: mm)

公称通径 Body size		L	H	H1	A	C	H2
DN	IN						
15	1/2"	120	505	50	282	220	180
20	3/4"	180	512	55	282	220	180
25	1"	185	525	62	282	220	180
32	1-1/4"	200	537	73	282	220	180
40	1-1/2"	220	610	80	282	220	180
50	2"	250	622	85	282	220	180
65	2-1/2"	275	778	96	355	270	240
80	3"	300	790	105	355	270	240
100	4"	350	812	115	355	270	240
125	5"	400	925	169	470	320	310
150	6"	480	940	179	470	320	310
200	8"	600	1061	238	470	320	310

注：手轮机构为非标配阀门附件，可按客户要求选配。

Note: handwheel mechanism is not standard with valve accessories, can be selected according to customer requirements.

BR.W62系列小流量调节阀

BR.W62 Series small flow control valve

阀本体 VALVE BODY

型式 Type	压力不平衡型 Pressure not balance type
公称通径 Body size	15 ~ 25 mm(1/2" ~ 1")
阀芯型式 Plug style	柱塞式 Plunger type
流量特性 Characteristics	等百分比, 线性 Equal percentage, linear
可调比 R Rangeability R	等百分比 Equal percentage 50:1 线性 Linear 50:1
公称压力 Body ratings	PN16,25,40,63,100, 160, 250, 420; ANSI Class 150,300,600, 900, 1500, 2500
连接方式 Connections	法兰型 (RF、MFM、RJ) Flanged(RF、MFM、RJ) 焊接型 (SW、BW) Weld ends (SW、BW)
法兰标准 Flange standard	HG/T20592 HG/T20615 ANSI B16.5
阀体及阀盖材质 Body & Bonnet Material	WCB CF8 CF8M CF3 CF3M HC-276 A105 F304 F316……
阀内件材质 Valve Trim materials	304;316 ; 316L 304+Stellite;316+Stellite; 316L+Stellite Inconel 718;XM-19;Gr660
上阀盖型式 Bonnet Type	标准型 Standard type -29 ~ +200 °C 散热型 Fin-Extension type +200 ~ +560 °C 波纹管密封型 Bellows seal type -100 ~ +420 °C
填料 Packing	V型聚四氟乙烯 V-PTFE 柔性石墨 Flexible Graphite
泄漏量 Seat leakage	软密封 Soft seal: VI级
涂层 Painting color	按要求 As required 不锈钢阀体不涂漆 Stainless steel body have no paint

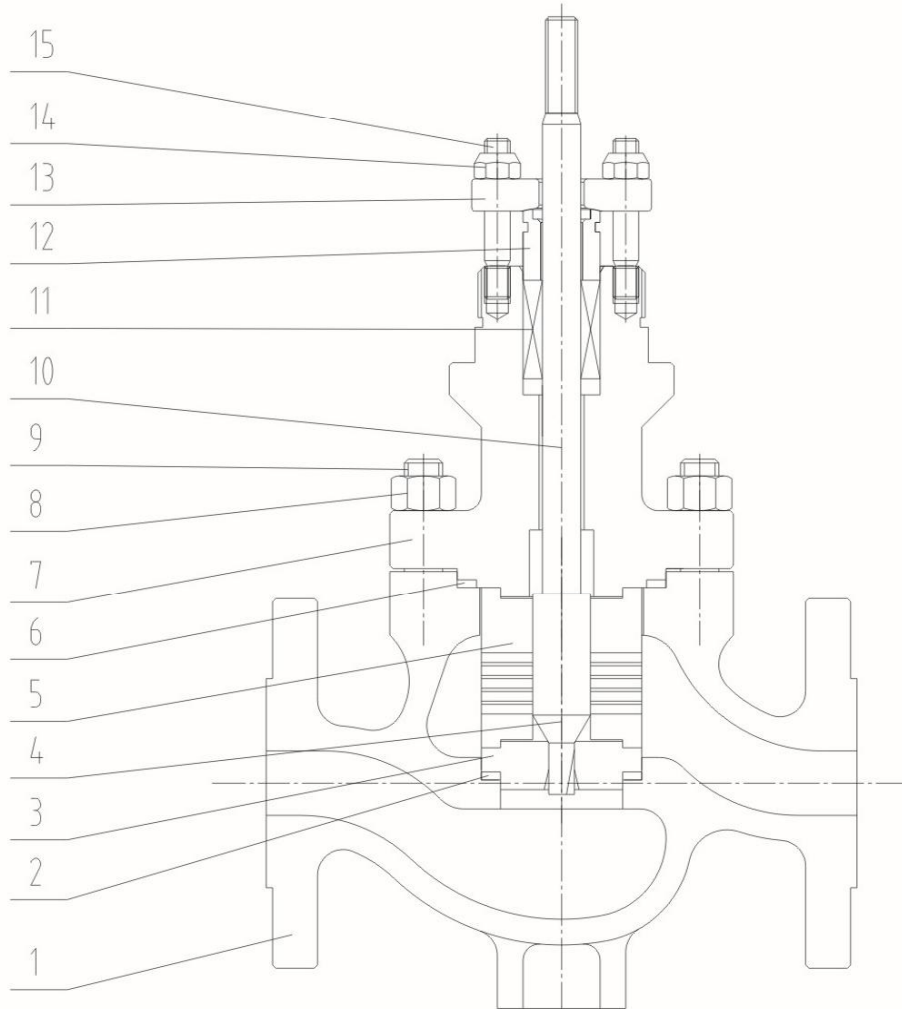
执行机构 ACTUATOR

	薄膜式 Diaphragm type	活塞式 Piston type	全电子式 Solid state electronic type	电动式 Electrodynamic	温度调节 电动执行机构 Temperature regulating electric actuator
用途 Use	调节、开关	调节、开关	调节	开关	调节
弹簧范围 Spring range	80~240KPa	100~300KPa	—	—	—
气源 / 电源 Air supply or power supply	0.4MPa	0.4 ~ 0.6MPa	220V.AC 50Hz 380V.AC 50Hz	220V.AC 50Hz 380V.AC 50Hz	220V.AC 50Hz
接口 Connection	Rc1/4", Rc3/8"	Rc1/4", Rc1/2", Rc3/8"	配线 :2-G1/2"	配线 :2-G1/2"	M27 × 2 (温度传感器接头)
正作用 Direct action	气压增加阀闭 Air to valve shut	气压增加阀闭 Air to valve shut	输入信号增加阀闭 Signal increase to vavle shut	输入信号增加阀闭 Signal increase to vavle shut	输入信号增加阀闭 Signal increase to vavle shut
反作用 Reverse action	气压增加阀开 Air to valve open	气压增加阀开 Air to valve open	输入信号增加阀开 Signal increase to vavle open	输入信号增加阀开 Signal increase to vavle open	输入信号增加阀开 Signal increase to vavle open
死区 Dead band	≤ 1% (带定位器)		≤ 1%	≤ 1%	≤ 1%
回差 Hysteresis	≤ 1.5% (带定位器)		≤ 1.5%	≤ 1.5%	≤ 1.5%
环境温度 Ambient Temp.	-10 ~ +70 °C		-10 ~ +60 °C		-10 ~ +50 °C
可选阀门附件 Optional valve attachment	电气阀门定位器, 过滤减压器, 电磁阀, 限位开关, 保位阀, 手动装置 Electrical valve positioner, filter pressure reducer, solenoid valve, Limit switch, position saving valve, manual device		微动开关、电位器、空间加热器、接线盒、手动手柄等 Microswitch, potentiometer, space heater, junction box, manual handle, etc		

额定Cv RATED CV

公称通径 Body size		15 20 25											
		4				6				8			
额定 Cv Rated Cv	线性 L	0.0016	0.0025	0.004	0.006	0.01	0.016	0.025	0.04	0.06	0.10	0.16	0.25
	等百分比 EQ	0.0016	0.0025	0.004	0.006	0.01	0.016	0.025	0.04	0.06	0.10	0.16	0.25
行程 Stroke		12											

阀体结构BODY CONSTRUCTION



04

序号 NO	名称 Name	序号 NO	名称 Name	序号 NO	名称 Name
1	阀体 Body	6	垫圈 Gasket	11	填料 Packing
2	垫圈 Gasket	7	阀盖 Bonnet	12	压套 Pressing sleeve
3	阀座 Seat	8	六角螺母 Nut	13	压板 Pressure plate
4	阀芯 Plug	9	双头螺柱 Double end studs	14	六角螺母 Nut
5	套筒 Cage	10	阀杆 Stem	15	双头螺柱 Double end studs

最大允许压差(单位: MPa)
MAXIMAL ALLOWABLE PRESSURE DROPS (UNIT: MPa)

气动薄膜执行机构 Diaphragm actuator

低进 (单位 :MPa) Lower into (UNIT : MPa)

执行机构 Actuator	弹簧范围 KPa Spring range	气源压力 MPa Air pressure	密封形式 Sealing form	阀座直径 Seat Size					
				4	5	6	7	8	9
HD2	80-240	0.40	金属密封 Hard seal	7.1	7.1	7.1	7.1	7.1	7.1
HD3	80-240	0.40	金属密封 Hard seal	10.7	10.7	10.7	10.7	10.7	10.7
HD4	80-240	0.40	金属密封 Hard seal	17.5	17.5	17.5	17.5	17.5	17.5

气动薄膜执行机构 Diaphragm actuator

高进 (单位 :MPa) Lower into (UNIT : MPa)

执行机构 Actuator	弹簧范围 KPa Spring range	气源压力 MPa Air pressure	密封形式 Sealing form	阀座直径 Seat Size					
				4	5	6	7	8	9
HD2	80-240	0.40	金属密封 Hard seal	10.5	10.5	10.5	10.5	10.5	10.5
HD3	80-240	0.40	金属密封 Hard seal	15.8	15.8	15.8	15.8	15.8	15.8
HD4	80-240	0.40	金属密封 Hard seal	26.3	26.3	26.3	26.3	26.3	26.3

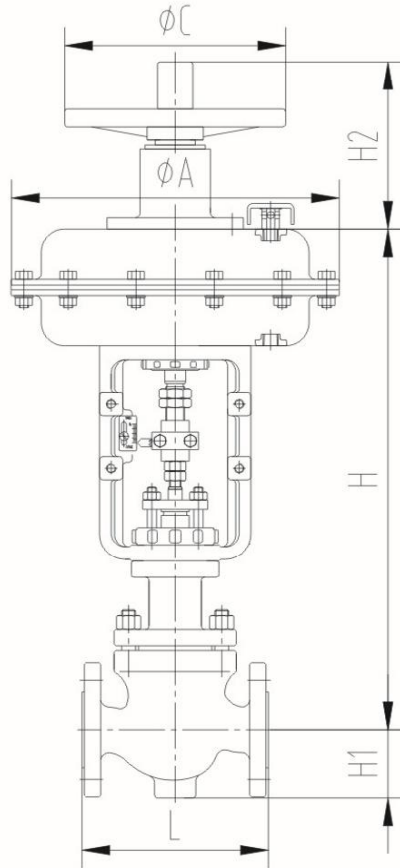
注: 1、阀门实际上允许压差应不超过各压力等级下阀门所允许使用的最大压力;
2、波纹管密封调节阀的允许压差应不超过波纹管所允许的最大使用压力。

Note: 1. The actual allowable differential pressure of the valve should not exceed the maximum allowable pressure of the valve under each pressure level;

2. The allowable differential pressure of bellows sealing regulating valve should not exceed the maximum allowable use pressure of bellows.

外形尺寸DIMENSIONS

气动薄膜式 Diaphragm type



标准型、散热型、波纹管密封型外形尺寸 单位：mm
 Standard type, Fin-Extension type, Bellows seal type (UNIT: mm)

公称通径 Body size		L			H			H1	A	C	H2
DN	IN	PN16 150LB	PN40 300LB	PN63,100 600LB	标准型 Standard type	散热型 Fin- Extension type	波纹管型 Bellows seal type				
15	1/2 "	184	194	206	480	560	630	70	282	220	180
20	3/4 "	184	194	206	480	560	635	70	282	220	180
25	1 "	184	197	210	485	565	640	70	282	220	180

注：手轮机构为非标配阀门附件，可按客户要求选配。

PN2.5MPa 按口径大小决定阀门 L 长度。

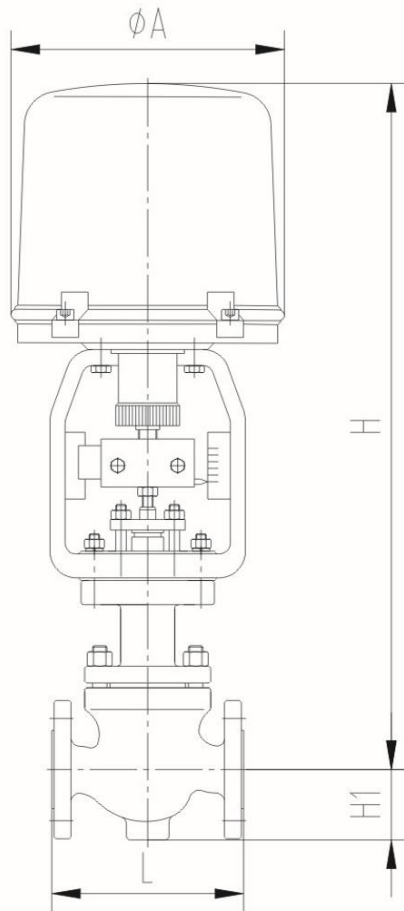
Note: handwheel mechanism is not standard with valve accessories, can be selected according to customer requirements.

PN2.5mpa Determines the length of valve L according to the diameter.

BR.W6 系列直行程调节阀
BR.W6 SERIES STRAIGHT STROKE ONTROL VALVE



全电子式 Solid state electronic type



04

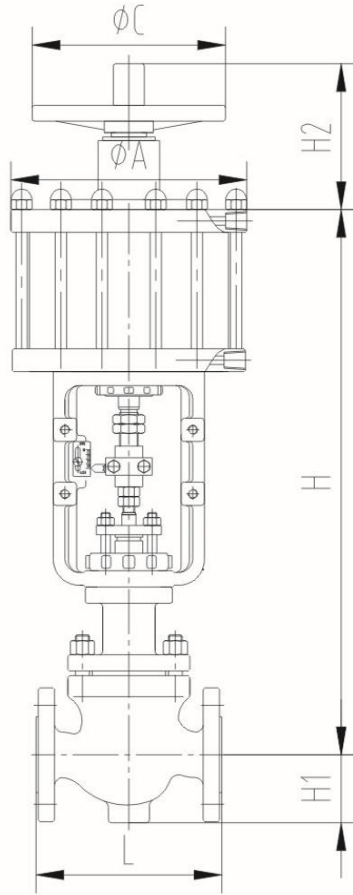
标准型、散热型、波纹管密封型外形尺寸 单位：mm
Standard type, Fin-Extension type, Bellows seal type (UNIT: mm)

公称通径 Body size		L			H			H1	A
DN	IN	PN16 150LB	PN40 300LB	PN63,100 600LB	标准型 Standard type	散热型 Fin- Extension type	波纹管型 Bellows seal type		
15	1/2 "	184	194	206	520	600	675	70	260
20	3/4 "	184	194	206	520	600	675	70	260
25	1 "	184	197	210	525	605	680	70	260

注：手轮机构为非标配阀门附件，可按客户要求选配。
PN2.5MPa 按口径大小决定阀门 L 长度。

Note: handwheel mechanism is not standard with valve accessories, can be selected according to customer requirements.
PN2.5mpa Determines the length of valve L according to the diameter.

气动活塞式 Piston type



标准型、散热型、波纹管密封型外形尺寸 单位：mm
 Standard type, Fin-Extension type, Bellows seal type (UNIT: mm)

公称通径 Body size		L			H			H1	A	C	H2
DN	IN	PN16 150LB	PN40 300LB	PN63,100 600LB	标准型 Standard type	散热型 Fin- Extension type	波纹管型 Bellows seal type				
15	1/2 "	184	194	206	490	570	645	70	150	220	180
20	3/4 "	184	194	206	490	570	645	70	150	220	180
25	1 "	184	197	210	495	575	650	70	150	220	180

注：手轮机构为非标配阀门附件，可按客户要求选配。

PN2.5MPa 按口径大小决定阀门 L 长度。

Note: handwheel mechanism is not standard with valve accessories, can be selected according to customer requirements.

PN2.5mpa Determines the length of valve L according to the diameter.

BR.W63系列三通调节阀 BR.W63 Series three way control valve

阀本体 VALVE BODY

型式 Type	压力不平衡型 Pressure not balance type
公称通径 Body size	15 ~ 500 mm(1/2" ~ 20")
阀芯型式 Plug style	分流型 Flow dividing type 合流型 Interflow type
流量特性 Characteristics	线性 linear
可调比 R Rangeability R	30:1
公称压力 Body ratings	PN16,25,40,63,100; ANSI Class 150,300,600
连接方式 Connections	法兰型 (RF、MFM) Flanged(RF、MFM)
法兰标准 Flange standard	HG/T20592 HG/T20615 ANSI B16.5
阀体及阀盖材质 Body & Bonnet Material	LCB WCB WC6 WC9 CF8 CF8M CF3 CF3M HC-276……
阀内件材质 Valve Trim materials	304;316; 316L 304+Stellite;316+Stellite; 316L+Stellite 410;F91;17-4PH; Inconel 718;XM-19;Gr660
上阀盖型式 Bonnet Type	标准型 Standard type -29 ~ +200 °C 散热型 Fin-Extension type +200 ~ +560 °C 波纹管密封型 Bellows seal type -100 ~ +420 °C
填料 Packing	V型聚四氟乙烯 V-PTFE 柔性石墨 Flexible Graphite
泄漏量 Seat leakage	硬密封 Hard seal: IV 级, V 级
涂层 Painting color	按要求 As required 不锈钢阀体不涂漆 Stainless steel body have no paint

执行机构 ACTUATOR

	薄膜式 Diaphragm type	活塞式 Piston type	全电子式 Solid state electronic type	电动式 Electrodynamic	温度调节 电动执行机构 Temperature regulating electric actuator
用途 Use	调节、开关	调节、开关	调节	开关	调节
弹簧范围 Spring range	80-240KPa	100-300KPa	—	—	—
气源 / 电源 Air supply or power supply	0.4MPa	0.4 ~ 0.6MPa	220V.AC 50Hz 380V.AC 50Hz	220V.AC 50Hz 380V.AC 50Hz	220V.AC 50Hz
接口 Connection	Rc1/4", Rc3/8"	Rc1/4", Rc1/2", Rc3/8"	配线 :2-G1/2"	配线 :2-G1/2"	M27 × 2 (温度传感器接头)
正作用 Direct action	气压增加阀闭 Air to valve shut	气压增加阀闭 Air to valve shut	输入信号增加阀闭 Signal increase to vavle shut	输入信号增加阀闭 Signal increase to vavle shut	输入信号增加阀闭 Signal increase to vavle shut
反作用 Reverse action	气压增加阀开 Air to valve open	气压增加阀开 Air to valve open	输入信号增加阀开 Signal increase to vavle open	输入信号增加阀开 Signal increase to vavle open	输入信号增加阀开 Signal increase to vavle open
死区 Dead band	≤ 1% (带定位器)		≤ 1%	≤ 1%	≤ 1%
回差 Hysteresis	≤ 1.5% (带定位器)		≤ 1.5%	≤ 1.5%	≤ 1.5%
环境温度 Ambient Temp.	-10 ~ +70 °C		-10 ~ +60 °C		-10 ~ +50 °C
可选阀门附件 Optional valve attachment	电气阀门定位器, 过滤减压器, 电磁阀, 限位开关, 保位阀, 手动装置 Electrical valve positioner, filter pressure reducer, solenoid valve, Limit switch, position saving valve, manual device		微动开关、电位器、空间加热器、接线盒、手动手柄等 Microswitch, potentiometer, space heater, junction box, manual handle, etc		

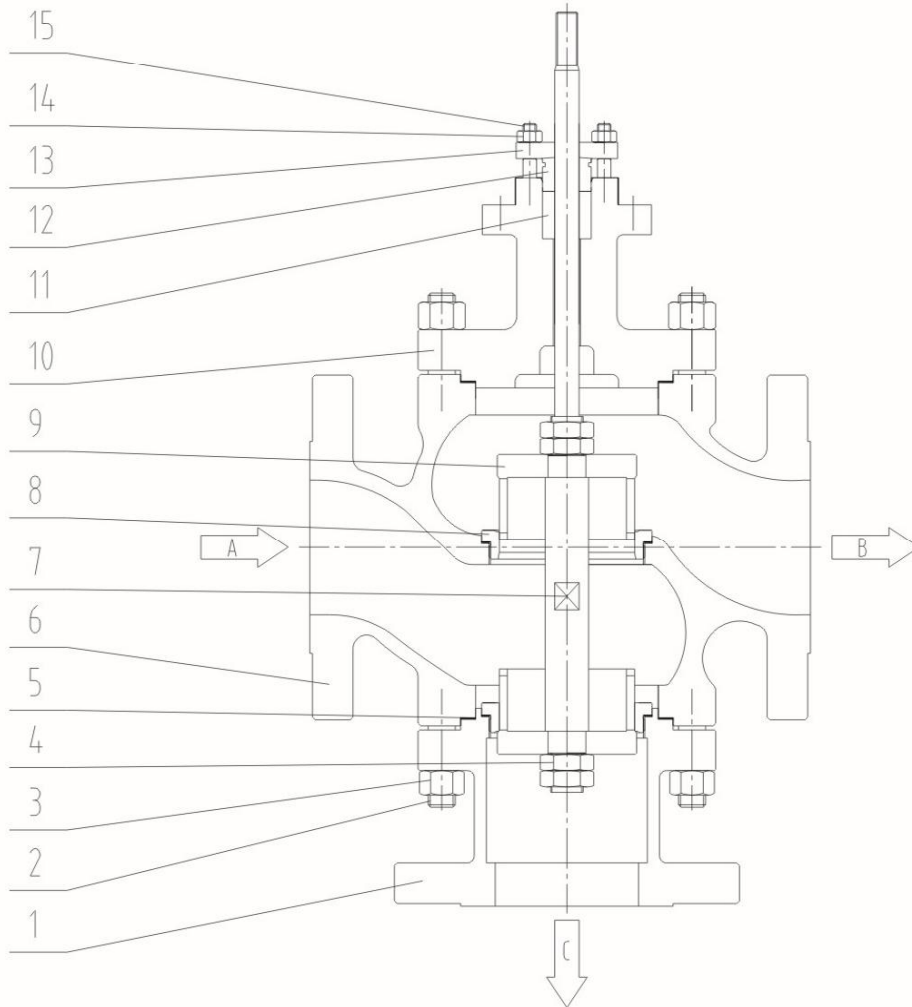
05

额定Cv RATED CV

公称通径 Body size	25	32	40	50	65	80	100	125	150	200	250	300	350	400	450	500
额定 Cv Rated Cv	10	15	25	40	62	100	158	245	395	620	930	1480	1870	2560	3300	4100
行程 Stroke	16	25		40			60		100		130		160	180		

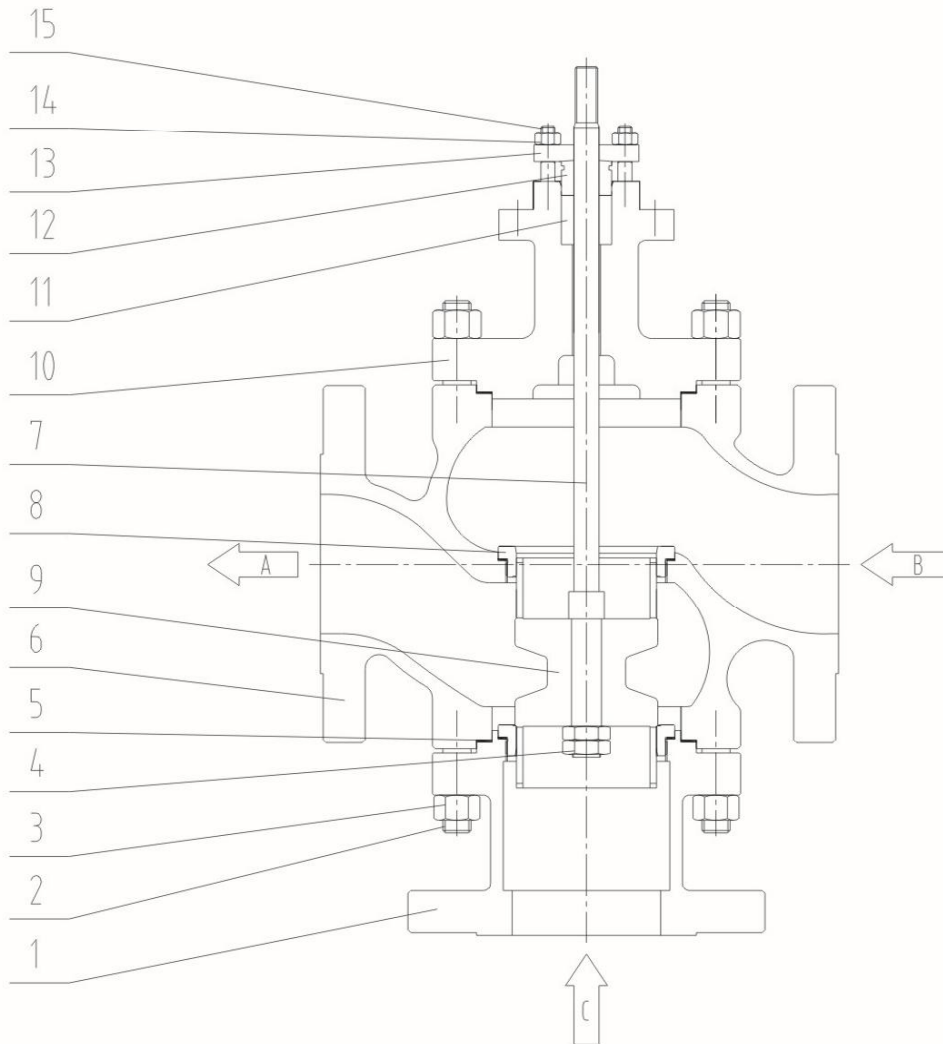
阀体结构 BODY CONSTRUCTION

三通分流结构 Three-way shunt structure



序号 NO	名称 Name	序号 NO	名称 Name	序号 NO	名称 Name
1	接管 Connection pipe	6	阀体 Body	11	填料 Packing
2	双头螺柱 Double end studs	7	阀杆 Stem	12	压套 Pressing sleeve
3	六角螺母 Nut	8	阀座 Seat	13	压板 Pressure plate
4	六角螺母 Nut	9	阀芯 Plug	14	六角螺母 Nut
5	垫圈 Gasket	10	阀盖 Bonnet	15	双头螺柱 Double end studs

三通合流结构 Three-way confluence structure



05

序号 NO	名称 Name	序号 NO	名称 Name	序号 NO	名称 Name
1	接管 Connection pipe	6	阀体 Body	11	填料 Packing
2	双头螺柱 Double end studs	7	阀杆 Stem	12	压套 Pressing sleeve
3	六角螺母 Nut	8	阀座 Seat	13	压板 Pressure plate
4	六角螺母 Nut	9	阀芯 Plug	14	六角螺母 Nut
5	垫圈 Gasket	10	阀盖 Bonnet	15	双头螺柱 Double end studs

最大允许压差(单位: MPa)
MAXIMAL ALLOWABLE PRESSURE DROPS (UNIT: MPa)

气动薄膜执行机构 Diaphragm actuator

正作用 (单位 :MPa) Direct action (UNIT: MPa)

执行机构 Actuator	弹簧范围 KPa Spring range	气源压力 MPa Air pressure	密封形式 Sealing form	阀座直径 Seat Size													
				25	32	40	50	65	80	100	125	150	200	250	300		
HD2	80-240	0.40	金属密封 Hard seal	4.17	3.36	2.15	1.37										
HD3	80-240	0.40	金属密封 Hard seal					1.26	0.83	0.53							
HD4	80-240	0.40	金属密封 Hard seal								0.58	0.4	0.22				
HD5	80-240	0.40	金属密封 Hard seal													0.24	0.17

气动薄膜执行机构 Diaphragm actuator

反作用 (单位 :MPa) Reverse action (UNIT: MPa)

执行机构 Actuator	弹簧范围 KPa Spring range	气源压力 MPa Air pressure	密封形式 Sealing form	阀座直径 Seat Size													
				25	32	40	50	65	80	100	125	150	200	250	300		
HR2	80-240	0.40	金属密封 Hard seal	3.67	2.95	1.89	1.21										
HR3	80-240	0.40	金属密封 Hard seal					1.11	0.73	0.47							
HR4	80-240	0.40	金属密封 Hard seal								0.52	0.36	0.2				
HR5	80-240	0.40	金属密封 Hard seal													0.21	0.14

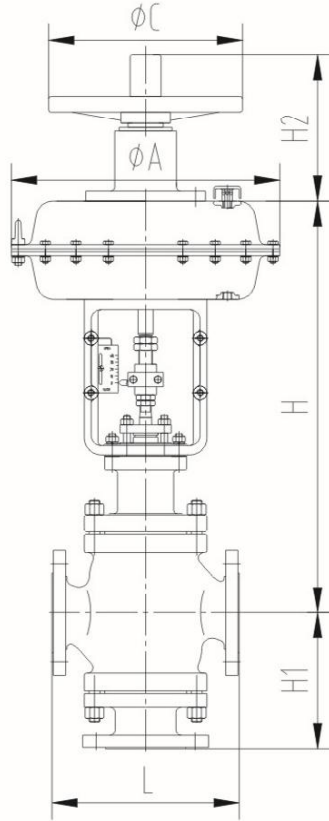
注： 1、阀门实际上允许压差应不超过各压力等级下阀门所允许使用的最大压力；
2、波纹管密封调节阀的允许压差应不超过波纹管所允许的最大使用压力。

Note: 1. The actual allowable differential pressure of the valve should not exceed the maximum allowable pressure of the valve under each pressure level;

2. The allowable differential pressure of bellows sealing regulating valve should not exceed the maximum allowable use pressure of bellows.

外形尺寸DIMENSIONS

气动薄膜式 Diaphragm type



标准型、散热型、波纹管密封型外形尺寸 单位：mm
 Standard type, Fin-Extension type, Bellows seal type (UNIT: mm)

公称通径 Body size		L		H			H1	A	C	H2
DN	IN	PN16,40 300LB	PN63,100 600LB	标准型 Standard type	散热型 Fin- Extension type	波纹管型 Bellows seal type				
25	1"	184	197	485	565	640	160	282	220	180
32	1-1/4"	200	210	500	580	700	170	282	220	180
40	1-1/2"	222	235	510	590	710	180	282	220	180
50	2"	254	267	545	625	725	200	282	220	180
65	2-1/2"	276	292	645	730	980	230	355	270	240
80	3"	298	318	650	740	990	250	355	270	240
100	4"	352	368	680	760	990	295	355	270	240
125	5"	403	425	835	930	1200	350	470	320	310
150	6"	451	473	920	995	1260	405	470	320	310
200	8"	543	570	970	1055	1290	515	470	320	310

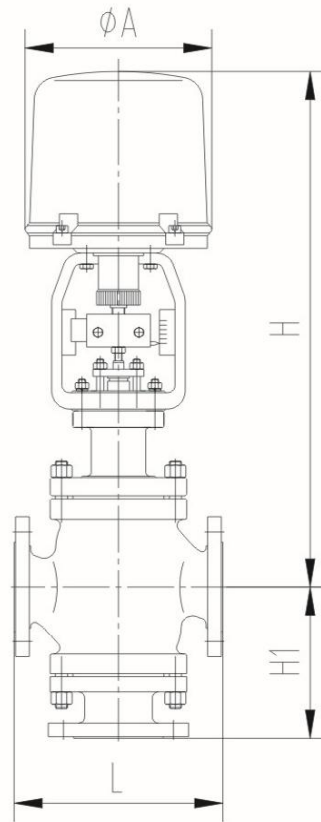
注：手轮机构为非标配阀门附件，可按客户要求选配。

PN2.5MPa 按口径大小决定阀门 L 长度。

Note: handwheel mechanism is not standard with valve accessories, can be selected according to customer requirements.

PN2.5mpa Determines the length of valve L according to the diameter.

全电子式 Solid state electronic type



标准型、散热型、波纹管密封型外形尺寸 单位：mm
Standard type, Fin-Extension type, Bellows seal type (UNIT: mm)

公称通径 Body size		L		H			H1	A
DN	IN	PN16,40 300LB	PN63,100 600LB	标准型 Standard type	散热型 Fin- Extension type	波纹管型 Bellows seal type		
25	1 "	184	197	485	565	640	160	260
32	1-1/4 "	200	210	500	580	700	170	260
40	1-1/2 "	222	235	510	590	710	180	260
50	2 "	254	267	545	625	725	200	260
65	2-1/2 "	276	292	645	730	980	230	290
80	3 "	298	318	650	740	990	250	290
100	4 "	352	368	680	760	990	295	290
125	5 "	403	425	835	930	1200	350	370
150	6 "	451	473	920	995	1260	405	370
200	8 "	543	570	970	1055	1290	515	370

注：手轮机构为非标配阀门附件，可按客户要求选配。

PN2.5MPa 按口径大小决定阀门 L 长度。

Note: handwheel mechanism is not standard with valve accessories, can be selected according to customer requirements.

PN2.5mpa Determines the length of valve L according to the diameter.

BR.W64M型套筒调节阀

BR.W64M Type cage control valve

阀本体 VALVE BODY

型式 Type	压力平衡型 Pressure balance type
公称通径 Body size	25 ~ 600 mm(1" ~ 24")
阀芯型式 Plug style	双密封平衡式 Double seal balance type
流量特性 Characteristics	等百分比, 线性 Equal percentage, linear
可调比 R Rangeability R	等百分比 Equal percentage 50:1 线性 Linear 50:1
公称压力 Body ratings	PN16,25,40,63,100; ANSI Class 150,300,600
连接方式 Connections	法兰型 (RF 、 MFM) Flanged (RF 、 MFM) 焊接型 (SW 、 BW) Weld ends (SW 、 BW)
法兰标准 Flange standard	HG/T20592 HG/T20615 ANSI B16.5
阀体及阀盖材质 Body & Bonnet Material	LCB WCB WC6 WC9 CF8 CF8M CF3 CF3M HC-276……
阀内件材质 Valve Trim materials	304;316 ; 316L 304+Stellite;316+Stellite; 316L+Stellite 410;F91;17-4PH; Inconel 718;XM-19;Gr660
上阀盖型式 Bonnet Type	标准型 Standard type -29~+200 °C 散热型 Fin-Extension type +200~+560 °C 波纹管密封型 Bellows seal type -100~+420 °C 低温型 Low temperature type -196~-29 °C
填料 Packing	V 型聚四氟乙烯 V-PTFE 柔性石墨 Flexible Graphite
泄漏量 Seat leakage	硬密封 Hard seal: IV 级
涂层 Painting color	按要求 As required 不锈钢阀体不涂漆 Stainless steel body have no paint

执行机构 ACTUATOR

	薄膜式 Diaphragm type	活塞式 Piston type	全电子式 Solid state electronic type	电动式 Electrodynamic	温度调节 电动执行机构 Temperature regulating electric actuator
用途 Use	调节、开关	调节、开关	调节	开关	调节
弹簧范围 Spring range	80-240KPa	100-300KPa	—	—	—
气源 / 电源 Air supply or power supply	0.4MPa	0.4 ~ 0.6MPa	220V.AC 50Hz 380V.AC 50Hz	220V.AC 50Hz 380V.AC 50Hz	220V.AC 50Hz
接口 Connection	Rc1/4", Rc3/8"	Rc1/4", Rc1/2", Rc3/8"	配线 :2-G1/2"	配线 :2-G1/2"	M27 × 2 (温度传感器接头)
正作用 Direct action	气压增加阀闭 Air to valve shut	气压增加阀闭 Air to valve shut	输入信号增加阀闭 Signal increase to vavle shut	输入信号增加阀闭 Signal increase to vavle shut	输入信号增加阀闭 Signal increase to vavle shut
反作用 Reverse action	气压增加阀开 Air to valve open	气压增加阀开 Air to valve open	输入信号增加阀开 Signal increase to vavle open	输入信号增加阀开 Signal increase to vavle open	输入信号增加阀开 Signal increase to vavle open
死区 Dead band	≤ 1% (带定位器)		≤ 1%	≤ 1%	≤ 1%
回差 Hysteresis	≤ 1.5% (带定位器)		≤ 1.5%	≤ 1.5%	≤ 1.5%
环境温度 Ambient Temp.	-10 ~ +70 °C		-10 ~ +60 °C		-10 ~ +50 °C
可选阀门附件 Optional valve attachment	电气阀门定位器, 过滤减压器, 电磁阀, 限位开关, 保位阀, 手动装置 Electrical valve positioner, filter pressure reducer, solenoid valve, Limit switch, position saving valve, manual device		微动开关、电位器、空间加热器、接线盒、手动手柄等 Microswitch, potentiometer, space heater, junction box, manual handle, etc		

额定Cv RATED CV

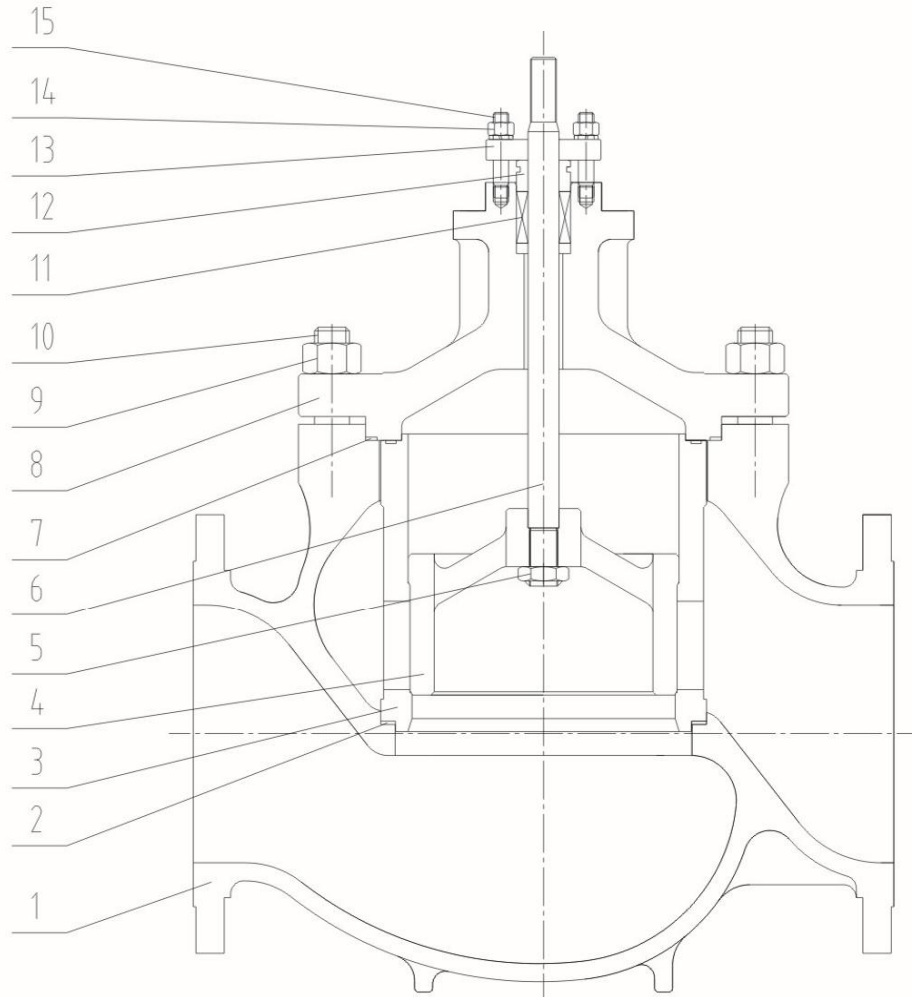
公称通径 Body size		25	32	40	50	65	80	100	125	150	200	250	300	350	400	450	500	600
额定 Cv Rated Cv	线性 L	15	22	38	60	93	150	220	320	450	750	1300	1800	2100	2500	2900	3600	5200
	等百分比 EQ	14	20	35	55	85	136	200	280	420	700	1100	1600	1900	2200	2600	3200	4700
行程 Stroke		16	25		40			60			100		130		150		180	

流量特性 FLOW CHARACTERISTICS

阀门开度 % valve opening %			10	20	30	40	50	60	70	80	90	100
FL			0.93	0.93	0.93	0.93	0.93	0.92	0.92	0.91	0.91	0.90
阀门口径 Body size	阀座直径 Seat Size	行程 Stroke	线性 Cv Linear Cv									
25	25	16	1.77	3.24	4.71	6.18	7.65	9.12	10.59	12.06	13.53	15
32	32	25	2.59	4.75	6.91	9.06	11.20	13.37	15.53	17.69	19.84	22
40	32		2.60	4.75	6.91	9.06	11.20	13.37	15.53	17.69	19.84	22
	40		4.48	8.21	11.93	15.66	19.38	23.10	26.83	30.55	34.28	38
50	32		2.60	4.75	6.91	9.06	11.20	13.37	15.53	17.69	19.84	22
	40		4.48	8.21	11.93	15.66	19.38	23.10	26.83	30.55	34.28	38
	50		7.08	12.96	18.84	24.72	30.6	36.48	42.36	48.24	54.12	60
65	65	40	10.97	20.09	29.20	38.32	47.43	56.54	65.66	74.77	83.89	93
80	65		10.97	20.09	29.20	38.32	47.43	56.54	65.66	74.77	83.89	93
	80		17.70	32.40	47.10	61.80	76.50	91.20	105.9	120.6	135.3	150
100	65		10.97	20.09	29.20	38.32	47.43	56.54	65.66	74.77	83.89	93
	80		17.70	32.40	47.10	61.80	76.50	91.20	105.9	120.6	135.3	150
	100		25.96	47.52	69.08	90.64	112.2	133.8	155.3	176.9	198.4	220
125	125	60	37.76	69.12	100.5	131.8	163.2	194.6	225.9	257.3	288.6	320
150	125		37.76	69.12	100.5	131.8	163.2	194.6	225.9	257.3	288.6	320
	150		53.1	97.2	141.3	185.4	229.5	273.6	317.7	361.8	405.9	450
200	125		37.76	69.12	100.5	131.8	163.2	194.6	225.9	257.3	288.6	320
	150		53.1	97.2	141.3	185.4	229.5	273.6	317.7	361.8	405.9	450
	200		88.5	162.0	235.5	309.0	382.5	456.0	529.5	603.0	676.5	750
250	250	100	153.4	280.8	408.2	535.6	663.0	790.4	917.8	1045	1173	1300
300	250		153.4	280.8	408.2	535.6	663.0	790.4	917.8	1045	1173	1300
	300		212.4	388.8	565.2	741.6	918.0	1094	1271	1447	1624	1800

阀门开度 % valve opening %			10	20	30	40	50	60	70	80	90	100
FL			0.94	0.94	0.94	0.94	0.94	0.94	0.93	0.92	0.92	0.90
阀门口径 Body size	阀座直径 Seat Size	行程 Stroke	等百分比 Cv Equal percent Cv									
25	25	16	0.41	0.61	0.91	1.34	1.98	2.93	4.33	6.40	9.47	14
32	32	25	0.59	0.88	1.29	1.91	2.83	4.18	6.19	9.15	13.52	20
40	32		0.59	0.88	1.29	1.91	2.83	4.18	6.19	9.15	13.52	20
	40		1.04	1.53	2.26	3.35	4.95	7.32	10.82	16.00	23.67	35
50	32		0.59	0.88	1.29	1.91	2.83	4.18	6.19	9.15	13.52	20
	40		1.035	1.53	2.26	3.35	4.95	7.32	10.82	16.00	23.67	35
	50		1.63	2.40	3.56	5.26	7.79	11.50	17.00	25.15	37.19	55
65	65	40	2.51	3.72	5.50	8.13	12.02	17.78	26.86	38.87	57.48	85
80	65		2.51	3.72	5.50	8.13	12.02	17.78	26.86	38.87	57.48	85
	80		4.02	5.95	8.79	13.00	19.23	28.44	42.05	62.19	91.97	136
100	65		2.51	3.72	5.50	8.13	12.02	17.78	26.86	38.87	57.48	85
	80		4.02	5.95	8.79	13.00	19.23	28.44	42.05	62.19	91.97	136
	100		5.92	8.75	12.93	19.12	28.28	41.82	61.85	91.46	135.2	200
125	125	60	8.28	12.25	18.11	26.78	39.60	58.56	86.59	128.1	189.4	280
150	125		8.28	12.25	18.11	26.78	39.60	58.56	86.59	128.1	189.4	280
	150		14.42	18.37	27.16	40.17	59.40	87.83	129.9	192.1	284.0	420
200	125		8.28	12.25	18.11	26.78	39.60	58.56	86.59	128.1	189.4	280
	150		14.42	18.37	27.16	40.17	59.40	87.83	129.9	192.1	284.0	420
	200		20.70	30.60	45.27	66.94	99.00	146.4	216.5	320.1	473.4	700
250	250	100	32.53	48.11	71.14	105.2	155.6	230.0	340.2	503.0	743.9	1100
300	250		32.53	48.11	71.14	105.2	155.6	230.0	340.2	503.0	743.9	1100
	300		47.32	69.98	103.5	153.0	226.3	334.6	494.8	731.7	1082	1600

阀体结构BODY CONSTRUCTION



06

序号 NO	名称 Name	序号 NO	名称 Name	序号 NO	名称 Name
1	阀体 Body	6	阀杆 Stem	11	填料 Packing
2	垫圈 Gasket	7	垫圈 Gasket	12	压套 Pressing sleeve
3	套筒 Cage	8	阀盖 Bonnet	13	压板 Pressure plate
4	阀芯 Plug	9	六角螺母 Nut	14	六角螺母 Nut
5	六角螺母 Nut	10	双头螺柱 Double end studs	15	双头螺柱 Double end studs

最大允许压差(单位：MPa)
MAXIMAL ALLOWABLE PRESSURE DROPS (UNIT: MPa)

气动薄膜执行机构 Diaphragm actuator

正作用 (单位 :MPa) Direct action (UNIT: MPa)

执行机构 Actuator	弹簧范围 KPa Spring range	气源压力 MPa Air pressure	密封形式 Sealing form	阀座直径 Seat Size												
				25	32	40	50	65	80	100	125	150	200	250	300	
HD2	80-240	0.40	金属密封 Hard seal	10	10	8.63	7.06									
HD3	80-240	0.40	金属密封 Hard seal					8.58	7.06	5.72						
HD4	80-240	0.40	金属密封 Hard seal								7.97	6.68	5.05			
HD5	80-240	0.40	金属密封 Hard seal												6.44	5.46

气动薄膜执行机构 Diaphragm actuator

反作用 (单位 :MPa) Reverse action (UNIT: MPa)

执行机构 Actuator	弹簧范围 KPa Spring range	气源压力 MPa Air pressure	密封形式 Sealing form	阀座直径 Seat Size												
				25	32	40	50	65	80	100	125	150	200	250	300	
HR2	80-240	0.40	金属密封 Hard seal	10	9.08	7.46	6.11									
HR3	80-240	0.40	金属密封 Hard seal					7.4	6.11	4.94						
HR4	80-240	0.40	金属密封 Hard seal								6.89	5.78	4.37			
HR5	80-240	0.40	金属密封 Hard seal												5.57	4.72

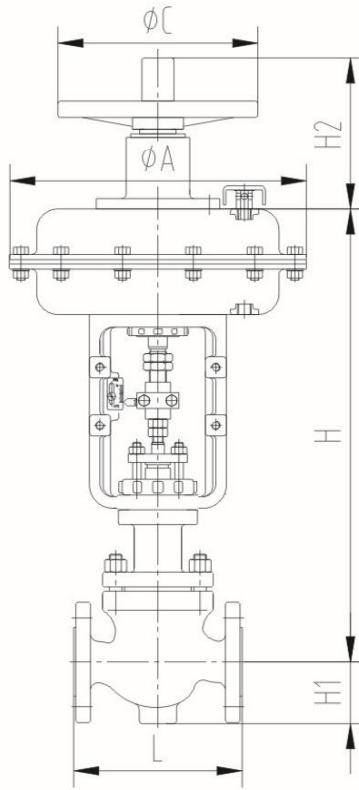
注： 1、阀门实际上允许压差应不超过各压力等级下阀门所允许使用的最大压力；
2、波纹管密封调节阀的允许压差应不超过波纹管所允许的最大使用压力。

Note: 1. The actual allowable differential pressure of the valve should not exceed the maximum allowable pressure of the valve under each pressure level;

2. The allowable differential pressure of bellows sealing regulating valve should not exceed the maximum allowable use pressure of bellows.

外形尺寸DIMENSIONS

气动薄膜式 Diaphragm type



标准型、散热型、波纹管密封型外形尺寸 单位：mm
 Standard type, Fin-Extension type, Bellows seal type (UNIT: mm)

公称通径 Body size		L			H			H1	A	C	H2
DN	IN	PN16 150LB	PN40 300LB	PN63,100 600LB	标准型 Standard type	散热型 Fin- Extension type	波纹管型 Bellows seal type				
25	1"	184	197	210	515	595	645	70	282	220	180
32	1-1/4"	200	210	222	527	607	707	80	282	220	180
40	1-1/2"	222	235	251	547	627	727	90	282	220	180
50	2"	254	267	286	575	655	755	95	282	220	180
65	2-1/2"	276	292	311	655	735	925	115	355	270	240
80	3"	298	318	337	660	740	930	125	355	270	240
100	4"	352	368	394	690	770	960	135	355	270	240
125	5"	403	425	460	925	1005	1290	165	470	320	310
150	6"	451	473	508	940	1020	1350	190	470	320	310
200	8"	543	568	610	1000	1080	1410	200	470	320	310
250	10"	673	708	753	1150	1250	1600	230	618	320	310
300	14"	737	775	819	1210	1290	1640	255	618	320	310

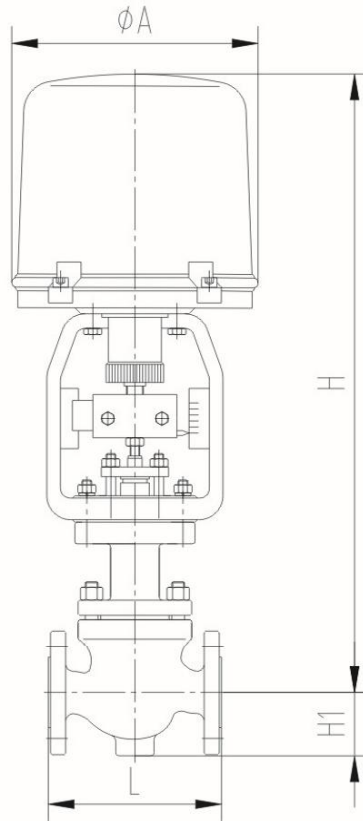
注：手轮机构为非标配阀门附件，可按客户要求选配。

PN2.5MPa 按口径大小决定阀门 L 长度。

Note: handwheel mechanism is not standard with valve accessories, can be selected according to customer requirements.

PN2.5mpa Determines the length of valve L according to the diameter.

全电子式 Solid state electronic type



标准型、散热型、波纹管密封型外形尺寸 单位 : mm
Standard type, Fin-Extension type, Bellows seal type (UNIT: mm)

公称口径 Body size		L			H			H1	A
DN	IN	PN16 ANSI150LB	PN40 ANSI300LB	PN63,100 ANSI1600LB	标准型 Standard type	散热型 Fin- Extension type	波纹管型 Bellows seal type		
25	1 "	184	197	210	525	605	680	70	260
32	1-1/4 "	200	210	222	670	750	875	80	260
40	1-1/2 "	222	235	251	680	760	885	90	260
50	2 "	254	267	286	715	795	900	95	260
65	2-1/2 "	276	292	311	750	835	1085	115	290
80	3 "	298	318	337	755	845	1095	125	290
100	4 "	352	368	394	785	865	1095	135	290
125	5 "	403	425	460	995	1090	1360	165	370
150	6 "	451	473	508	1080	1180	1420	190	370
200	8 "	543	568	610	1000	1080	1410	200	370
250	10 "	673	708	753	1150	1250	1600	230	370
300	14 "	737	775	819	1210	1290	1640	255	370

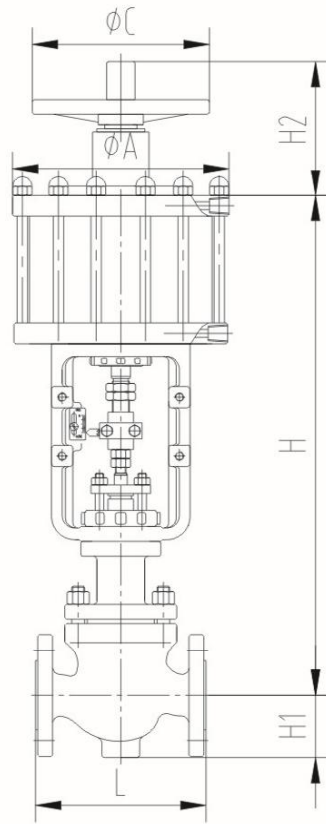
注：手轮机构为非标配阀门附件，可按客户要求选配。

PN2.5MPa 按口径大小决定阀门 L 长度。

Note: handwheel mechanism is not standard with valve accessories, can be selected according to customer requirements.

PN2.5mpa Determines the length of valve L according to the diameter.

气动活塞式 Piston type



标准型、散热型、波纹管密封型外形尺寸 单位: mm
 Standard type, Fin-Extension type, Bellows seal type (UNIT: mm)

公称通径 Body size		L			H			H1	A	C	H2
DN	IN	PN16 150LB	PN40 300LB	PN63,100 600LB	标准型 Standard type	散热型 Fin- Extension type	波纹管型 Bellows seal type				
25	1"	184	197	210	515	595	645	70	150	220	180
32	1-1/4"	200	210	222	527	607	707	80	200	220	180
40	1-1/2"	222	235	251	547	627	727	90	200	220	180
50	2"	254	267	286	575	655	755	95	200	220	180
65	2-1/2"	276	292	311	655	735	925	115	215	270	240
80	3"	298	318	337	660	740	930	125	215	270	240
100	4"	352	368	394	690	770	960	135	215	270	240
125	5"	403	425	460	925	1005	1290	165	325	320	310
150	6"	451	473	508	940	1020	1350	190	325	320	310
200	8"	543	568	610	1000	1080	1410	200	470	320	310
250	10"	673	708	753	1150	1250	1600	230	470	320	310
300	14"	737	775	819	1210	1290	1640	255	470	320	310

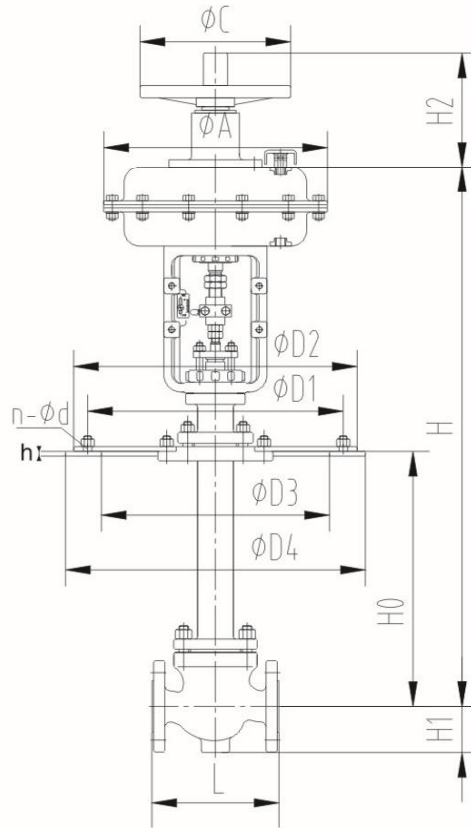
注: 手轮机构为非标配阀门附件, 可按客户要求选配。

PN2.5MPa 按口径大小决定阀门 L 长度。

Note: handwheel mechanism is not standard with valve accessories, can be selected according to customer requirements.

PN2.5mpa Determines the length of valve L according to the diameter.

低温型 Low temperature type



低温型外形尺寸 单位: mm
Low temperature type (UNIT: mm)

公称通径 Body size		L		H0							D1	D2	D3	D4	n-d	h	H1	A	C	H2
				400	500	600	700	800	900											
DN	IN	PN16 150LB	PN64 300LB	H																
25	1"	184	197	980	1080	1180	1280	1380	1480	260	290	230	310	8-14	15	70	150	220	180	
32	1-1/4"	200	210	1000	1100	1200	1300	1400	1500	285	315	255	335	8-14	15	80	200	220	180	
40	1-1/2"	222	235	1000	1100	1200	1300	1400	1500	305	335	275	355	8-16	18	90	200	220	180	
50	2"	254	267	1005	1105	1205	1305	1405	1505	340	370	310	390	8-16	18	95	200	220	180	
65	2-1/2"	276	292	1150	1250	1350	1450	1550	1650	370	400	330	420	10-16	18	115	215	270	240	
80	3"	298	318	1150	1250	1350	1450	1550	1650	405	435	375	455	10-16	18	125	215	270	240	
100	4"	352	368	1168	1268	1368	1468	1568	1668	460	490	430	510	12-18	20	135	215	270	240	
125	5"	403	425	1278	1378	1478	1578	1678	1778	525	555	505	575	14-18	20	165	325	320	310	
150	6"	451	473	1352	1452	1552	1652	1752	1852	590	630	560	660	16-18	20	190	325	320	310	
200	8"	543	568	1386	1486	1586	1686	1786	1886	700	740	670	770	18-18	20	205	325	320	310	

注: 手轮机构为非标配阀门附件, 可按客户要求选配。

PN2.5MPa 按口径大小决定阀门 L 长度。

Note: handwheel mechanism is not standard with valve accessories, can be selected according to customer requirements.

PN2.5mpa Determines the length of valve L according to the diameter.

BR.W64G型笼式单座调节阀

BR.W64G Type cage single seat control valve

阀本体 VALVE BODY

型式 Type	压力平衡型 Pressure balance type
公称通径 Body size	25 ~ 600 mm(1" ~ 24")
阀芯型式 Plug style	带密封环平衡式 Sealing ring balance type
流量特性 Characteristics	等百分比, 线性 Equal percentage, linear
可调比 R Rangeability R	等百分比 Equal percentage 50:1 线性 Linear 50:1
公称压力 Body ratings	PN16,25,40,63,100; ANSI Class 150,300,600
连接方式 Connections	法兰型 (RF、MFM) Flanged(RF、MFM) 焊接型 (SW、BW) Weld ends (SW、BW)
法兰标准 Flange standard	HG/T20592 HG/T20615 ANSI B16.5
阀体及阀盖材质 Body & Bonnet Material	LCB WCB WC6 WC9 CF8 CF8M CF3 CF3M HC-276……
阀内件材质 Valve Trim materials	304;316; 316L 304+Stellite;316+Stellite; 316L+Stellite 410;F91;17-4PH; Inconel 718;XM-19;Gr660
上阀盖型式 Bonnet Type	标准型 Standard type -29 ~ +200 °C 散热型 Fin-Extension type +200 ~ +560 °C 波纹管密封型 Bellows seal type -100 ~ +420 °C 低温型 Low temperature type -196 ~ -29 °C
填料 Packing	V 型聚四氟乙烯 V-PTFE 柔性石墨 Flexible Graphite
泄漏量 Seat leakage	硬密封 Hard seal: IV 级, V 级
涂层 Painting color	按要求 As required 不锈钢阀体不涂漆 Stainless steel body have no paint

执行机构 ACTUATOR

	薄膜式 Diaphragm type	活塞式 Piston type	全电子式 Solid state electronic type	电动式 Electrodynamic	温度调节 电动执行机构 Temperature regulating electric actuator
用途 Use	调节、开关	调节、开关	调节	开关	调节
弹簧范围 Spring range	80~240KPa	100~300KPa	—	—	—
气源 / 电源 Air supply or power supply	0.4MPa	0.4 ~ 0.6MPa	220V.AC 50Hz 380V.AC 50Hz	220V.AC 50Hz 380V.AC 50Hz	220V.AC 50Hz
接口 Connection	Rc1/4", Rc3/8"	Rc1/4", Rc1/2", Rc3/8"	配线 :2-G1/2"	配线 :2-G1/2"	M27 × 2 (温度传感器接头)
正作用 Direct action	气压增加阀闭 Air to valve shut	气压增加阀闭 Air to valve shut	输入信号增加阀闭 Signal increase to vavle shut	输入信号增加阀闭 Signal increase to vavle shut	输入信号增加阀闭 Signal increase to vavle shut
反作用 Reverse action	气压增加阀开 Air to valve open	气压增加阀开 Air to valve open	输入信号增加阀开 Signal increase to vavle open	输入信号增加阀开 Signal increase to vavle open	输入信号增加阀开 Signal increase to vavle open
死区 Dead band	≤ 1% (带定位器)		≤ 1%	≤ 1%	≤ 1%
回差 Hysteresis	≤ 1.5% (带定位器)		≤ 1.5%	≤ 1.5%	≤ 1.5%
环境温度 Ambient Temp.	-10 ~ +70 °C		-10 ~ +60 °C		-10 ~ +50 °C
可选阀门附件 Optional valve attachment	电气阀门定位器, 过滤减压器, 电磁阀, 限位开关, 保位阀, 手动装置 Electrical valve positioner, filter pressure reducer, solenoid valve, Limit switch, position saving valve, manual device		微动开关、电位器、空间加热器、接线盒、手动手柄等 Microswitch, potentiometer, space heater, junction box, manual handle, etc		

额定Cv RATED CV

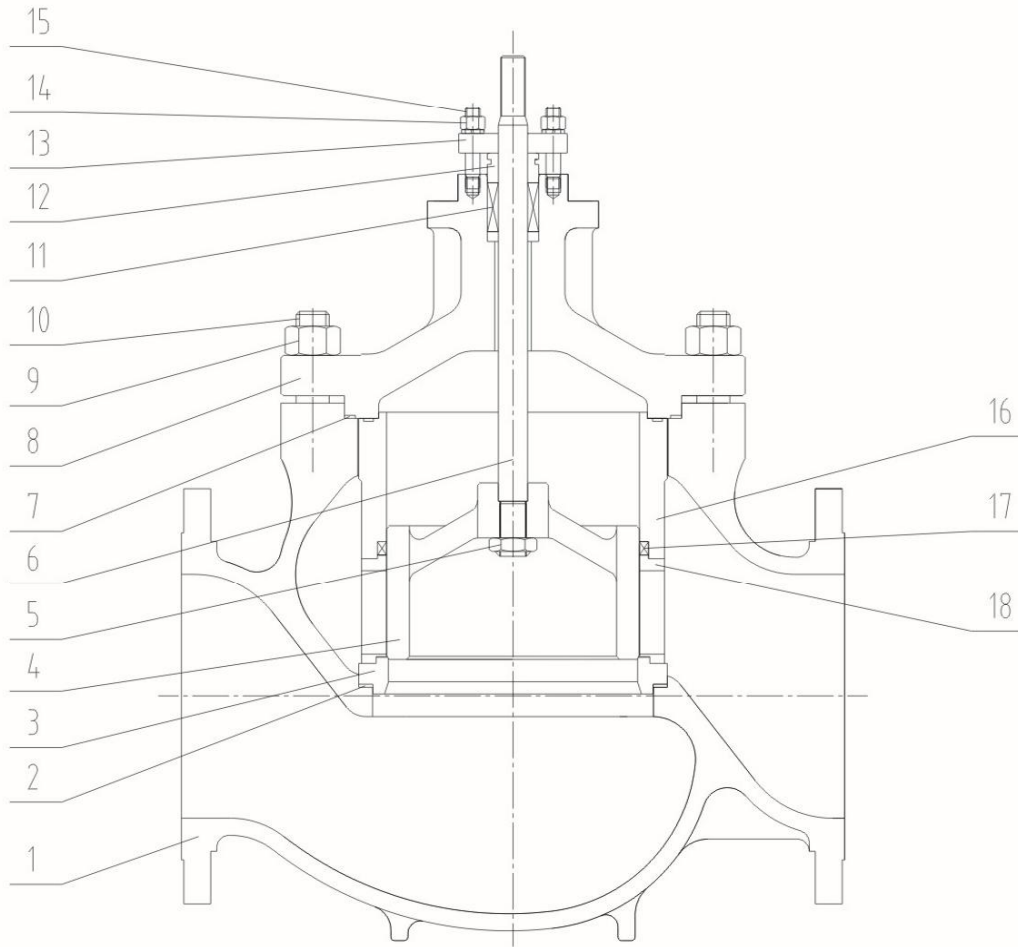
公称通径 Body size		25	32	40	50	65	80	100	125	150	200	250	300	350	400	450	500	600
额定 Cv Rated Cv	线性 L	15	22	38	60	93	150	220	320	450	750	1300	1800	2100	2500	2900	3600	5200
	等百分比 EQ	14	20	35	55	85	136	200	280	420	700	1100	1600	1900	2200	2600	3200	4700
行程 Stroke		16	25		40			60			100		130		150		180	

流量特性 FLOW CHARACTERISTICS

阀门开度 % valve opening %			10	20	30	40	50	60	70	80	90	100
FL			0.93	0.93	0.93	0.93	0.93	0.92	0.92	0.91	0.91	0.90
阀门口径 Body size	阀座直径 Seat Size	行程 Stroke	线性 Cv Linear Cv									
25	25	16	1.77	3.24	4.71	6.18	7.65	9.12	10.59	12.06	13.53	15
32	32	25	2.59	4.75	6.91	9.06	11.20	13.37	15.53	17.69	19.84	22
40	32		2.60	4.75	6.91	9.06	11.20	13.37	15.53	17.69	19.84	22
	40		4.48	8.21	11.93	15.66	19.38	23.10	26.83	30.55	34.28	38
50	32		2.60	4.75	6.91	9.06	11.20	13.37	15.53	17.69	19.84	22
	40		4.48	8.21	11.93	15.66	19.38	23.10	26.83	30.55	34.28	38
	50		7.08	12.96	18.84	24.72	30.6	36.48	42.36	48.24	54.12	60
65	65	40	10.97	20.09	29.20	38.32	47.43	56.54	65.66	74.77	83.89	93
80	65		10.97	20.09	29.20	38.32	47.43	56.54	65.66	74.77	83.89	93
	80		17.70	32.40	47.10	61.80	76.50	91.20	105.9	120.6	135.3	150
100	65		10.97	20.09	29.20	38.32	47.43	56.54	65.66	74.77	83.89	93
	80		17.70	32.40	47.10	61.80	76.50	91.20	105.9	120.6	135.3	150
	100		25.96	47.52	69.08	90.64	112.2	133.8	155.3	176.9	198.4	220
125	125	60	37.76	69.12	100.5	131.8	163.2	194.6	225.9	257.3	288.6	320
150	125		37.76	69.12	100.5	131.8	163.2	194.6	225.9	257.3	288.6	320
	150		53.1	97.2	141.3	185.4	229.5	273.6	317.7	361.8	405.9	450
200	125		37.76	69.12	100.5	131.8	163.2	194.6	225.9	257.3	288.6	320
	150		53.1	97.2	141.3	185.4	229.5	273.6	317.7	361.8	405.9	450
	200		88.5	162.0	235.5	309.0	382.5	456.0	529.5	603.0	676.5	750
250	250	100	153.4	280.8	408.2	535.6	663.0	790.4	917.8	1045	1173	1300
300	250		153.4	280.8	408.2	535.6	663.0	790.4	917.8	1045	1173	1300
	300		212.4	388.8	565.2	741.6	918.0	1094	1271	1447	1624	1800

阀门开度 % valve opening %			10	20	30	40	50	60	70	80	90	100
FL			0.94	0.94	0.94	0.94	0.94	0.94	0.93	0.92	0.92	0.90
阀门口径 Body size	阀座直径 Seat Size	行程 Stroke	等百分比 Cv Equal percent Cv									
25	25	16	0.41	0.61	0.91	1.34	1.98	2.93	4.33	6.40	9.47	14
32	32	25	0.59	0.88	1.29	1.91	2.83	4.18	6.19	9.15	13.52	20
40	32		0.59	0.88	1.29	1.91	2.83	4.18	6.19	9.15	13.52	20
	40		1.04	1.53	2.26	3.35	4.95	7.32	10.82	16.00	23.67	35
50	32		0.59	0.88	1.29	1.91	2.83	4.18	6.19	9.15	13.52	20
	40		1.035	1.53	2.26	3.35	4.95	7.32	10.82	16.00	23.67	35
	50		1.63	2.40	3.56	5.26	7.79	11.50	17.00	25.15	37.19	55
65	65	40	2.51	3.72	5.50	8.13	12.02	17.78	26.86	38.87	57.48	85
80	65		2.51	3.72	5.50	8.13	12.02	17.78	26.86	38.87	57.48	85
	80		4.02	5.95	8.79	13.00	19.23	28.44	42.05	62.19	91.97	136
100	65		2.51	3.72	5.50	8.13	12.02	17.78	26.86	38.87	57.48	85
	80		4.02	5.95	8.79	13.00	19.23	28.44	42.05	62.19	91.97	136
	100		5.92	8.75	12.93	19.12	28.28	41.82	61.85	91.46	135.2	200
125	125	60	8.28	12.25	18.11	26.78	39.60	58.56	86.59	128.1	189.4	280
150	125		8.28	12.25	18.11	26.78	39.60	58.56	86.59	128.1	189.4	280
	150		14.42	18.37	27.16	40.17	59.40	87.83	129.9	192.1	284.0	420
200	125		8.28	12.25	18.11	26.78	39.60	58.56	86.59	128.1	189.4	280
	150		14.42	18.37	27.16	40.17	59.40	87.83	129.9	192.1	284.0	420
	200		20.70	30.60	45.27	66.94	99.00	146.4	216.5	320.1	473.4	700
250	250	100	32.53	48.11	71.14	105.2	155.6	230.0	340.2	503.0	743.9	1100
300	250		32.53	48.11	71.14	105.2	155.6	230.0	340.2	503.0	743.9	1100
	300		47.32	69.98	103.5	153.0	226.3	334.6	494.8	731.7	1082	1600

阀体结构 BODY CONSTRUCTION



07

序号 NO	名称 Name	序号 NO	名称 Name
1	阀体 Body	10	双头螺柱 Double end studs
2	垫圈 Gasket	11	填料 Packing
3	阀座 Seat	12	压套 Pressing sleeve
4	阀芯 Plug	13	压板 Pressure plate
5	六角螺母 Nut	14	六角螺母 Nut
6	阀杆 Stem	15	双头螺柱 Double end studs
7	垫圈 Gasket	16	压套 Pressing sleeve
8	阀盖 Bonnet	17	密封环 Sealing ring
9	六角螺母 Nut	18	套筒 Cage

最大允许压差(单位：MPa)
MAXIMAL ALLOWABLE PRESSURE DROPS (UNIT: MPa)

气动薄膜执行机构 Diaphragm actuator

正作用 (单位 :MPa) Direct action (UNIT: MPa)

执行机构 Actuator	弹簧范围 KPa Spring range	气源压力 MPa Air pressure	密封形式 Sealing form	阀座直径 Seat Size												
				25	32	40	50	65	80	100	125	150	200	250	300	
HD2	80-240	0.40	金属密封 Hard seal	10	10	8.63	7.06									
HD3	80-240	0.40	金属密封 Hard seal					8.58	7.06	5.72						
HD4	80-240	0.40	金属密封 Hard seal								7.97	6.68	5.05			
HD5	80-240	0.40	金属密封 Hard seal												6.44	5.46

气动薄膜执行机构 Diaphragm actuator

反作用 (单位 :MPa) Reverse action (UNIT: MPa)

执行机构 Actuator	弹簧范围 KPa Spring range	气源压力 MPa Air pressure	密封形式 Sealing form	阀座直径 Seat Size												
				25	32	40	50	65	80	100	125	150	200	250	300	
HR2	80-240	0.40	金属密封 Hard seal	10	9.08	7.46	6.11									
HR3	80-240	0.40	金属密封 Hard seal					7.4	6.11	4.94						
HR4	80-240	0.40	金属密封 Hard seal								6.89	5.78	4.37			
HR5	80-240	0.40	金属密封 Hard seal												5.57	4.72

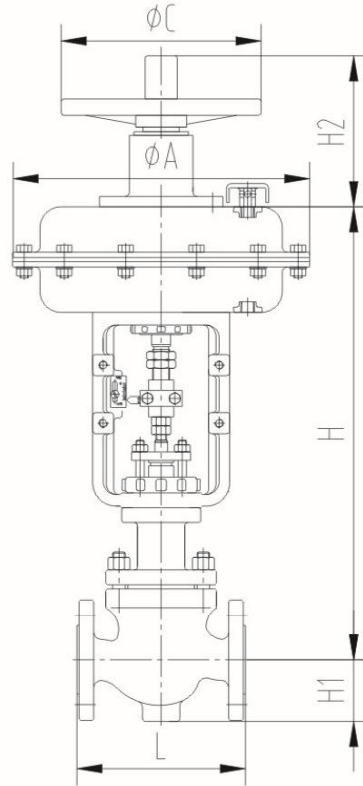
注： 1、阀门实际上允许压差应不超过各压力等级下阀门所允许使用的最大压力；
2、波纹管密封调节阀的允许压差应不超过波纹管所允许的最大使用压力。

Note: 1. The actual allowable differential pressure of the valve should not exceed the maximum allowable pressure of the valve under each pressure level;

2. The allowable differential pressure of bellows sealing regulating valve should not exceed the maximum allowable use pressure of bellows.

外形尺寸DIMENSIONS

气动薄膜式 Diaphragm type



标准型、散热型、波纹管密封型外形尺寸 单位：mm
 Standard type, Fin-Extension type, Bellows seal type (UNIT: mm)

公称通径 Body size		L			H			H1	A	C	H2
DN	IN	PN16 150LB	PN40 300LB	PN63,100 600LB	标准型 Standard type	散热型 Fin- Extension type	波纹管型 Bellows seal type				
25	1"	184	197	210	515	595	645	70	282	220	180
32	1-1/4"	200	210	222	527	607	707	80	282	220	180
40	1-1/2"	222	235	251	547	627	727	90	282	220	180
50	2"	254	267	286	575	655	755	95	282	220	180
65	2-1/2"	276	292	311	655	735	925	115	355	270	240
80	3"	298	318	337	660	740	930	125	355	270	240
100	4"	352	368	394	690	770	960	135	355	270	240
125	5"	403	425	460	925	1005	1290	165	470	320	310
150	6"	451	473	508	940	1020	1350	190	470	320	310
200	8"	543	568	610	1000	1080	1410	200	470	320	310
250	10"	673	708	753	1150	1250	1600	230	618	320	310
300	14"	737	775	819	1210	1290	1640	255	618	320	310

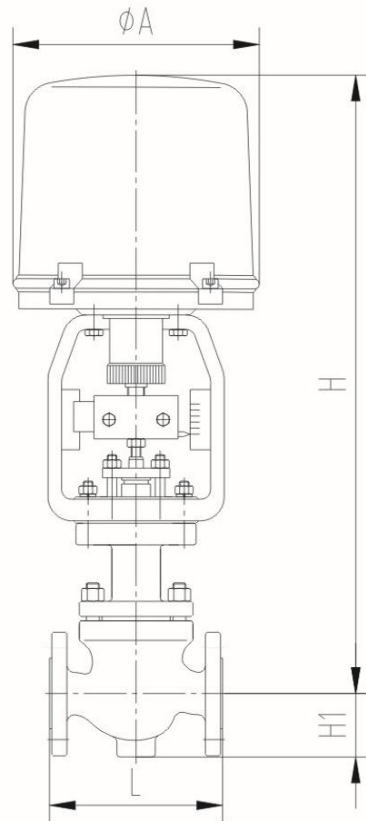
注：手轮机构为非标配阀门附件，可按客户要求选配。

PN2.5MPa 按口径大小决定阀门 L 长度。

Note: handwheel mechanism is not standard with valve accessories, can be selected according to customer requirements.

PN2.5mpa Determines the length of valve L according to the diameter.

全电子式 Solid state electronic type



标准型、散热型、波纹管密封型外形尺寸 单位：mm
Standard type, Fin-Extension type, Bellows seal type (UNIT: mm)

公称通径 Body size		L			H			H1	A
DN	IN	PN16 ANSI150LB	PN40 ANSI300LB	PN63,100 ANSI1600LB	标准型 Standard type	散热型 Fin- Extension type	波纹管型 Bellows seal type		
25	1"	184	197	210	525	605	680	70	260
32	1-1/4"	200	210	222	670	750	875	80	260
40	1-1/2"	222	235	251	680	760	885	90	260
50	2"	254	267	286	715	795	900	95	260
65	2-1/2"	276	292	311	750	835	1085	115	290
80	3"	298	318	337	755	845	1095	125	290
100	4"	352	368	394	785	865	1095	135	290
125	5"	403	425	460	995	1090	1360	165	370
150	6"	451	473	508	1080	1180	1420	190	370
200	8"	543	568	610	1000	1080	1410	200	370
250	10"	673	708	753	1150	1250	1600	230	370
300	14"	737	775	819	1210	1290	1640	255	370

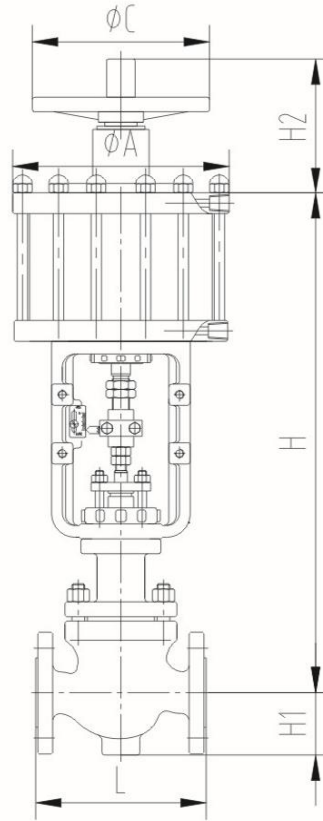
注：手轮机构为非标配阀门附件，可按客户要求选配。

PN2.5MPa 按口径大小决定阀门 L 长度。

Note: handwheel mechanism is not standard with valve accessories, can be selected according to customer requirements.

PN2.5mpa Determines the length of valve L according to the diameter.

气动活塞式 Piston type



标准型、散热型、波纹管密封型外形尺寸 单位：mm
 Standard type, Fin-Extension type, Bellows seal type (UNIT: mm)

公称通径 Body size		L			H			H1	A	C	H2
DN	IN	PN16 150LB	PN40 300LB	PN63,100 600LB	标准型 Standard type	散热型 Fin- Extension type	波纹管型 Bellows seal type				
25	1"	184	197	210	515	595	645	70	150	220	180
32	1-1/4"	200	210	222	527	607	707	80	200	220	180
40	1-1/2"	222	235	251	547	627	727	90	200	220	180
50	2"	254	267	286	575	655	755	95	200	220	180
65	2-1/2"	276	292	311	655	735	925	115	215	270	240
80	3"	298	318	337	660	740	930	125	215	270	240
100	4"	352	368	394	690	770	960	135	215	270	240
125	5"	403	425	460	925	1005	1290	165	325	320	310
150	6"	451	473	508	940	1020	1350	190	325	320	310
200	8"	543	568	610	1000	1080	1410	200	470	320	310
250	10"	673	708	753	1150	1250	1600	230	470	320	310
300	14"	737	775	819	1210	1290	1640	255	470	320	310

注：手轮机构为非标配阀门附件，可按客户要求选配。

PN2.5MPa 按口径大小决定阀门 L 长度。

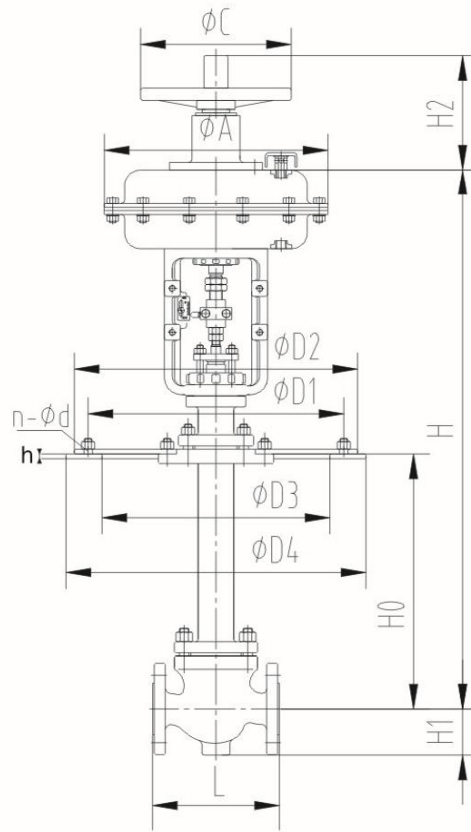
Note: handwheel mechanism is not standard with valve accessories, can be selected according to customer requirements.

PN2.5mpa Determines the length of valve L according to the diameter.

BR.W6 系列直行程调节阀
BR.W6 SERIES STRAIGHT STROKE ONTROL VALVE



低温型 Low temperature type



低温型外形尺寸 单位：mm
Low temperature type (UNIT: mm)

公称通径 Body size		L		H0							D1	D2	D3	D4	n-d	h	H1	A	C	H2
				400	500	600	700	800	900											
DN	IN	PN16 150LB	PN64 300LB	H																
25	1"	184	197	980	1080	1180	1280	1380	1480	260	290	230	310	8-14	15	70	150	220	180	
32	1-1/4"	200	210	1000	1100	1200	1300	1400	1500	285	315	255	335	8-14	15	80	200	220	180	
40	1-1/2"	222	235	1000	1100	1200	1300	1400	1500	305	335	275	355	8-16	18	90	200	220	180	
50	2"	254	267	1005	1105	1205	1305	1405	1505	340	370	310	390	8-16	18	95	200	220	180	
65	2-1/2"	276	292	1150	1250	1350	1450	1550	1650	370	400	330	420	10-16	18	115	215	270	240	
80	3"	298	318	1150	1250	1350	1450	1550	1650	405	435	375	455	10-16	18	125	215	270	240	
100	4"	352	368	1168	1268	1368	1468	1568	1668	460	490	430	510	12-18	20	135	215	270	240	
125	5"	403	425	1278	1378	1478	1578	1678	1778	525	555	505	575	14-18	20	165	325	320	310	
150	6"	451	473	1352	1452	1552	1652	1752	1852	590	630	560	660	16-18	20	190	325	320	310	
200	8"	543	568	1386	1486	1586	1686	1786	1886	700	740	670	770	18-18	20	205	325	320	310	

注：手轮机构为非标配阀门附件，可按客户要求选配。

PN2.5MPa 按口径大小决定阀门 L 长度。

Note: handwheel mechanism is not standard with valve accessories, can be selected according to customer requirements.

PN2.5mpa Determines the length of valve L according to the diameter.

BR.W64D型多级降压套筒调节阀

BR.W64D Type Multistage depressurization cage control valve

阀本体 VALVE BODY

型式 Type	压力平衡型 Pressure balance type
公称通径 Body size	25 ~ 600 mm(1" ~ 24")
阀芯型式 Plug style	带密封环平衡式 Sealing ring balance type
流量特性 Characteristics	等百分比, 线性 Equal percentage, linear
可调比 R Rangeability R	等百分比 Equal percentage 50:1 线性 Linear 50:1
公称压力 Body ratings	PN16,25,40,63,100; ANSI Class 150,300,600
连接方式 Connections	法兰型 (RF、MFM) Flanged(RF、MFM) 焊接型 (SW、BW) Weld ends (SW、BW)
法兰标准 Flange standard	HG/T20592 HG/T20615 ANSI B16.5
阀体及阀盖材质 Body & Bonnet Material	LCB WCB WC6 WC9 CF8 CF8M CF3 CF3M HC-276……
阀内件材质 Valve Trim materials	304;316; 316L 304+Stellite;316+Stellite; 316L+Stellite 410;F91;17-4PH; Inconel 718;XM-19;Gr660
上阀盖型式 Bonnet Type	标准型 Standard type -29 ~ +200 °C 散热型 Fin-Extension type +200 ~ +560 °C 波纹管密封型 Bellows seal type -100 ~ +420 °C 低温型 Low temperature type -196 ~ -29 °C
填料 Packing	V型聚四氟乙烯 V-PTFE 柔性石墨 Flexible Graphite
泄漏量 Seat leakage	硬密封 Hard seal: IV级, V级
涂层 Painting color	按要求 As required 不锈钢阀体不涂漆 Stainless steel body have no paint

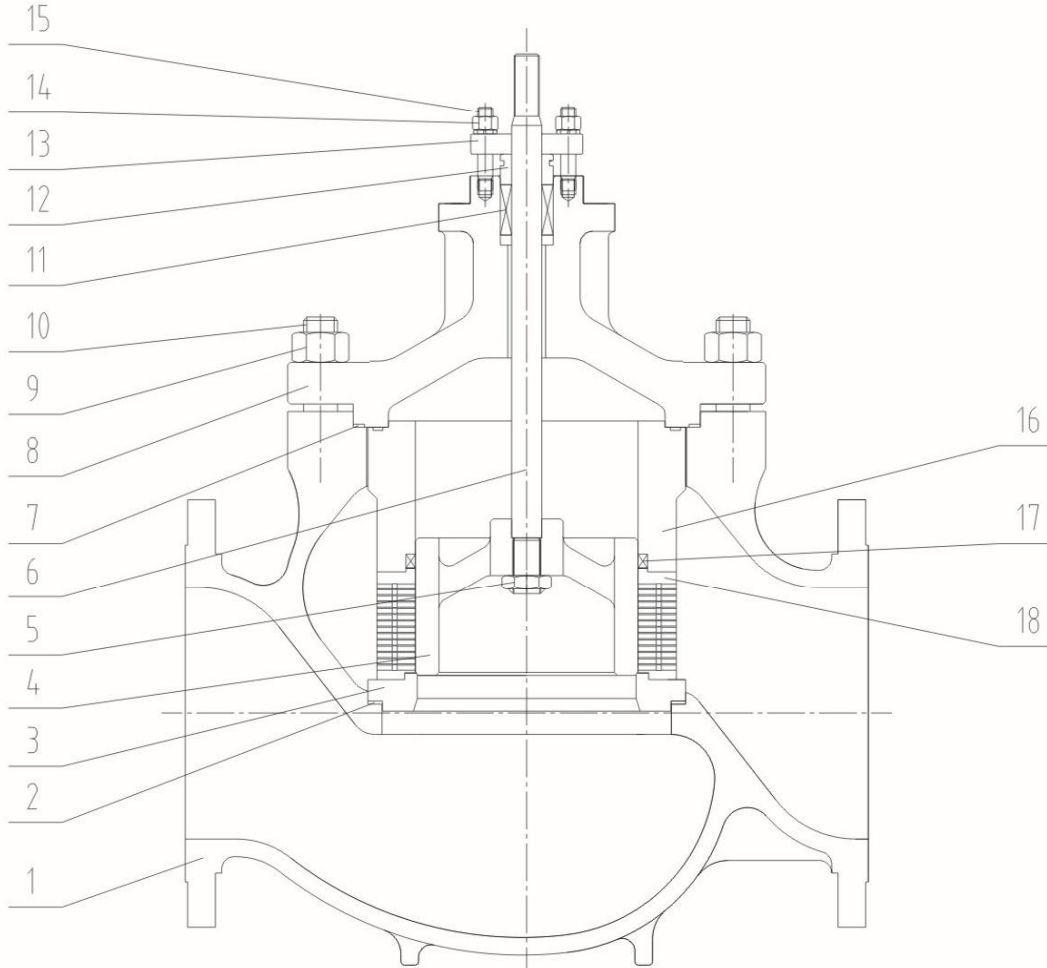
执行机构 ACTUATOR

	薄膜式 Diaphragm type	活塞式 Piston type	全电子式 Solid state electronic type	电动式 Electrodynamic	温度调节 电动执行机构 Temperature regulating electric actuator
用途 Use	调节、开关	调节、开关	调节	开关	调节
弹簧范围 Spring range	80~240KPa	100~300KPa	—	—	—
气源 / 电源 Air supply or power supply	0.4MPa	0.4 ~ 0.6MPa	220V.AC 50Hz 380V.AC 50Hz	220V.AC 50Hz 380V.AC 50Hz	220V.AC 50Hz
接口 Connection	Rc1/4", Rc3/8"	Rc1/4", Rc1/2", Rc3/8"	配线 :2-G1/2"	配线 :2-G1/2"	M27 × 2 (温度传感器接头)
正作用 Direct action	气压增加阀闭 Air to valve shut	气压增加阀闭 Air to valve shut	输入信号增加阀闭 Signal increase to vavle shut	输入信号增加阀闭 Signal increase to vavle shut	输入信号增加阀闭 Signal increase to vavle shut
反作用 Reverse action	气压增加阀开 Air to valve open	气压增加阀开 Air to valve open	输入信号增加阀开 Signal increase to vavle open	输入信号增加阀开 Signal increase to vavle open	输入信号增加阀开 Signal increase to vavle open
死区 Dead band	≤ 1% (带定位器)		≤ 1%	≤ 1%	≤ 1%
回差 Hysteresis	≤ 1.5% (带定位器)		≤ 1.5%	≤ 1.5%	≤ 1.5%
环境温度 Ambient Temp.	-10 ~ +70 °C		-10 ~ +60 °C		-10 ~ +50 °C
可选阀门附件 Optional valve attachment	电气阀门定位器, 过滤减压器, 电磁阀, 限位开关, 保位阀, 手动装置 Electrical valve positioner, filter pressure reducer, solenoid valve, Limit switch, position saving valve, manual device		微动开关、电位器、空间加热器、接线盒、手动手柄等 Microswitch, potentiometer, space heater, junction box, manual handle, etc		

额定Cv RATED CV

公称通径 Body size		25	32	40	50	65	80	100	125	150	200	250	300	350	400	450	500	600
额定 Cv Rated Cv	线性 L	10	14	24	37	56	93	136	198	280	465	810	1260	1500	1750	2100	2600	3700
	等百分比 EQ	8	12	21	34	53	84	124	170	260	430	680	1100	1050	1250	1500	2200	3200
行程 Stroke		16	25		40			60			100		130		150		180	

阀体结构BODY CONSTRUCTION



08

序号 NO	名称 Name	序号 NO	名称 Name
1	阀体 Body	10	双头螺柱 Double end studs
2	垫圈 Gasket	11	填料 Packing
3	阀座 Seat	12	压套 Pressing sleeve
4	阀芯 Plug	13	压板 Pressure plate
5	六角螺母 Nut	14	六角螺母 Nut
6	阀杆 Stem	15	双头螺柱 Double end studs
7	垫圈 Gasket	16	压套 Pressing sleeve
8	阀盖 Bonnet	17	密封环 Sealing ring
9	六角螺母 Nut	18	套筒 Cage

最大允许压差(单位：MPa)
MAXIMAL ALLOWABLE PRESSURE DROPS (UNIT: MPa)

气动薄膜执行机构 Diaphragm actuator

正作用 (单位 :MPa) Direct action (UNIT: MPa)

执行机构 Actuator	弹簧范围 KPa Spring range	气源压力 MPa Air pressure	密封形式 Sealing form	阀座直径 Seat Size												
				25	32	40	50	65	80	100	125	150	200	250	300	
HD2	80-240	0.40	金属密封 Hard seal	10	10	8.63	7.06									
HD3	80-240	0.40	金属密封 Hard seal					8.58	7.06	5.72						
HD4	80-240	0.40	金属密封 Hard seal								7.97	6.68	5.05			
HD5	80-240	0.40	金属密封 Hard seal												6.44	5.46

气动薄膜执行机构 Diaphragm actuator

反作用 (单位 :MPa) Reverse action (UNIT: MPa)

执行机构 Actuator	弹簧范围 KPa Spring range	气源压力 MPa Air pressure	密封形式 Sealing form	阀座直径 Seat Size												
				25	32	40	50	65	80	100	125	150	200	250	300	
HR2	80-240	0.40	金属密封 Hard seal	10	9.08	7.46	6.11									
HR3	80-240	0.40	金属密封 Hard seal					7.4	6.11	4.94						
HR4	80-240	0.40	金属密封 Hard seal								6.89	5.78	4.37			
HR5	80-240	0.40	金属密封 Hard seal												5.57	4.72

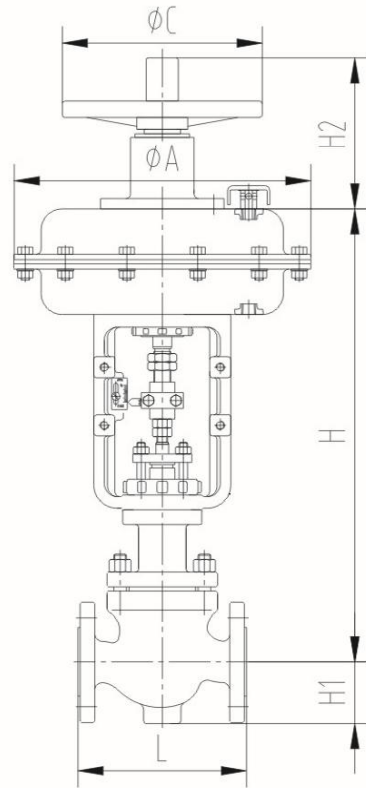
注： 1、阀门实际上允许压差应不超过各压力等级下阀门所允许使用的最大压力；
2、波纹管密封调节阀的允许压差应不超过波纹管所允许的最大使用压力。

Note: 1. The actual allowable differential pressure of the valve should not exceed the maximum allowable pressure of the valve under each pressure level;

2. The allowable differential pressure of bellows sealing regulating valve should not exceed the maximum allowable use pressure of bellows.

外形尺寸DIMENSIONS

气动薄膜式 Diaphragm type



标准型、散热型、波纹管密封型外形尺寸 单位: mm
 Standard type, Fin-Extension type, Bellows seal type (UNIT: mm)

公称通径 Body size		L			H			H1	A	C	H2
DN	IN	PN16 150LB	PN40 300LB	PN63,100 600LB	标准型 Standard type	散热型 Fin- Extension type	波纹管型 Bellows seal type				
25	1"	184	197	210	515	595	645	70	282	220	180
32	1-1/4"	200	210	222	527	607	707	80	282	220	180
40	1-1/2"	222	235	251	547	627	727	90	282	220	180
50	2"	254	267	286	575	655	755	95	282	220	180
65	2-1/2"	276	292	311	655	735	925	115	355	270	240
80	3"	298	318	337	660	740	930	125	355	270	240
100	4"	352	368	394	690	770	960	135	355	270	240
125	5"	403	425	460	925	1005	1290	165	470	320	310
150	6"	451	473	508	940	1020	1350	190	470	320	310
200	8"	543	568	610	1000	1080	1410	200	470	320	310
250	10"	673	708	753	1150	1250	1600	230	618	320	310
300	14"	737	775	819	1210	1290	1640	255	618	320	310

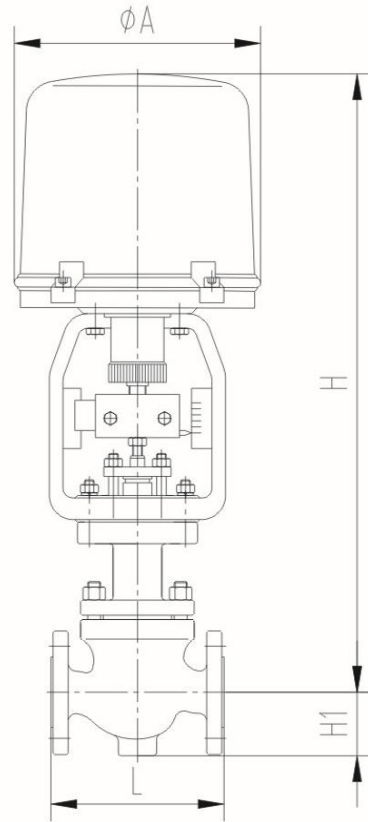
注: 手轮机构为非标配阀门附件, 可按客户要求选配。

PN2.5MPa 按口径大小决定阀门 L 长度。

Note: handwheel mechanism is not standard with valve accessories, can be selected according to customer requirements.

PN2.5mpa Determines the length of valve L according to the diameter.

全电子式 Solid state electronic type



标准型、散热型、波纹管密封型外形尺寸 单位 : mm
Standard type, Fin-Extension type, Bellows seal type (UNIT: mm)

公称通径 Body size		L			H			H1	A
DN	IN	PN16 ANSI150LB	PN40 ANSI300LB	PN63,100 ANSI1600LB	标准型 Standard type	散热型 Fin- Extension type	波纹管型 Bellows seal type		
25	1 "	184	197	210	525	605	680	70	260
32	1-1/4 "	200	210	222	670	750	875	80	260
40	1-1/2 "	222	235	251	680	760	885	90	260
50	2 "	254	267	286	715	795	900	95	260
65	2-1/2 "	276	292	311	750	835	1085	115	290
80	3 "	298	318	337	755	845	1095	125	290
100	4 "	352	368	394	785	865	1095	135	290
125	5 "	403	425	460	995	1090	1360	165	370
150	6 "	451	473	508	1080	1180	1420	190	370
200	8 "	543	568	610	1000	1080	1410	200	370
250	10 "	673	708	753	1150	1250	1600	230	370
300	14 "	737	775	819	1210	1290	1640	255	370

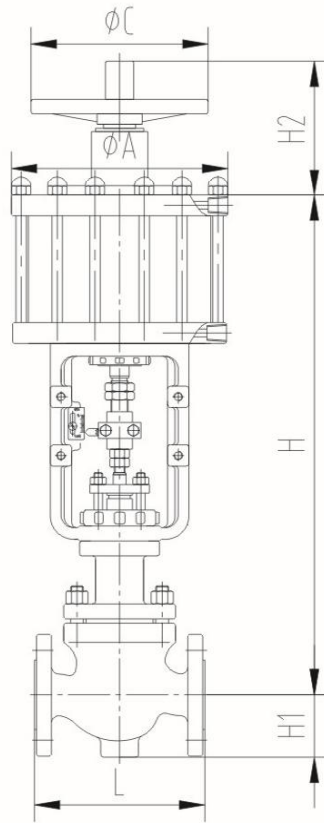
注：手轮机构为非标配阀门附件，可按客户要求选配。

PN2.5MPa 按口径大小决定阀门 L 长度。

Note: handwheel mechanism is not standard with valve accessories, can be selected according to customer requirements.

PN2.5mpa Determines the length of valve L according to the diameter.

气动活塞式 Piston type



标准型、散热型、波纹管密封型外形尺寸 单位：mm
 Standard type, Fin-Extension type, Bellows seal type (UNIT: mm)

公称通径 Body size		L			H			H1	A	C	H2
DN	IN	PN16 150LB	PN40 300LB	PN63,100 600LB	标准型 Standard type	散热型 Fin- Extension type	波纹管型 Bellows seal type				
25	1"	184	197	210	495	575	650	70	150	220	180
32	1-1/4"	200	210	222	560	640	760	80	200	220	180
40	1-1/2"	222	235	251	570	650	775	90	200	220	180
50	2"	254	267	286	605	685	790	95	200	220	180
65	2-1/2"	276	292	311	705	790	1040	115	215	270	240
80	3"	298	318	337	710	800	1050	125	215	270	240
100	4"	352	368	394	740	820	1050	135	215	270	240
125	5"	403	425	460	895	980	1260	165	325	320	310
150	6"	451	473	508	980	1080	1320	190	325	320	310
200	8"	543	568	610	1000	1080	1410	200	470	320	310
250	10"	673	708	753	1150	1250	1600	230	470	320	310
300	14"	737	775	819	1210	1290	1640	255	470	320	310

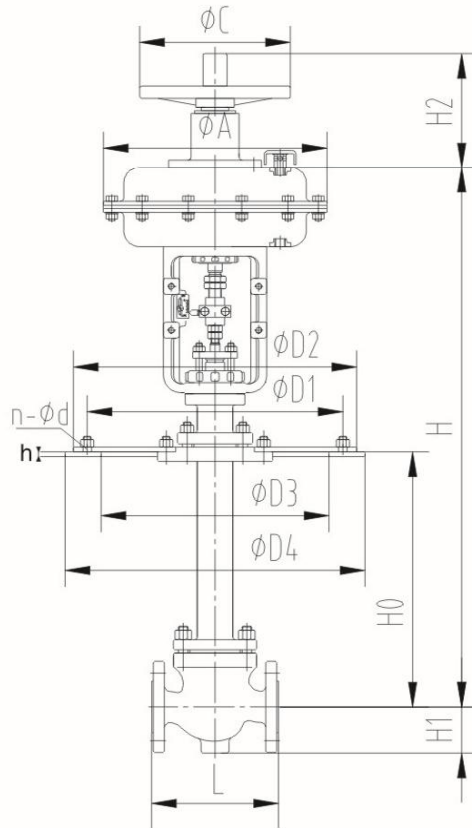
注：手轮机构为非标配阀门附件，可按客户要求选配。

PN2.5MPa 按口径大小决定阀门 L 长度。

Note: handwheel mechanism is not standard with valve accessories, can be selected according to customer requirements.

PN2.5mpa Determines the length of valve L according to the diameter.

低温型 Low temperature type



低温型外形尺寸 单位：mm
Low temperature type (UNIT: mm)

公称通径 Body size		L		H0							D1	D2	D3	D4	n-d	h	H1	A	C	H2
				400	500	600	700	800	900											
DN	IN	PN16 150LB	PN64 300LB	H																
25	1"	184	197	980	1080	1180	1280	1380	1480	260	290	230	310	8-14	15	70	150	220	180	
32	1-1/4"	200	210	1000	1100	1200	1300	1400	1500	285	315	255	335	8-14	15	80	200	220	180	
40	1-1/2"	222	235	1000	1100	1200	1300	1400	1500	305	335	275	355	8-16	18	90	200	220	180	
50	2"	254	267	1005	1105	1205	1305	1405	1505	340	370	310	390	8-16	18	95	200	220	180	
65	2-1/2"	276	292	1150	1250	1350	1450	1550	1650	370	400	330	420	10-16	18	115	215	270	240	
80	3"	298	318	1150	1250	1350	1450	1550	1650	405	435	375	455	10-16	18	125	215	270	240	
100	4"	352	368	1168	1268	1368	1468	1568	1668	460	490	430	510	12-18	20	135	215	270	240	
125	5"	403	425	1278	1378	1478	1578	1678	1778	525	555	505	575	14-18	20	165	325	320	310	
150	6"	451	473	1352	1452	1552	1652	1752	1852	590	630	560	660	16-18	20	190	325	320	310	
200	8"	543	568	1386	1486	1586	1686	1786	1886	700	740	670	770	18-18	20	205	325	320	310	

注：手轮机构为非标配阀门附件，可按客户要求选配。

PN2.5MPa 按口径大小决定阀门 L 长度。

Note: handwheel mechanism is not standard with valve accessories, can be selected according to customer requirements.

PN2.5mpa Determines the length of valve L according to the diameter.

BR.W66系列高压调节阀

BR.W66 Series high pressure control valve

阀本体 VALVE BODY

型式 Type	压力平衡型 Pressure balance type
公称通径 Body size	25 ~ 600 mm(1" ~ 24")
阀芯型式 Plug style	带密封环平衡式 Sealing ring balance type
流量特性 Characteristics	等百分比, 线性 Equal percentage, linear
可调比 R Rangeability R	等百分比 Equal percentage 50:1 线性 Linear 50:1
公称压力 Body ratings	PN160,250,420; ANSI Class 900,1500,2500
连接方式 Connections	法兰型 (RF、MFM) Flanged(RF、MFM) 焊接型 (SW、BW) Weld ends (SW、BW)
法兰标准 Flange standard	HG/T20592 HG/T20615 ANSI B16.5
阀体及阀盖材质 Body & Bonnet Material	A105 F304 F316 F22 F91……
阀内件材质 Valve Trim materials	F304;F316; F316L F304+Stellite;F316+Stellite; F316L+Stellite 410;F91;17-4PH; Inconel 718;XM-19;Gr660
上阀盖型式 Bonnet Type	标准型 Standard type -29 ~ +200 °C 散热型 Fin-Extension type +200 ~ +560 °C 波纹管密封型 Bellows seal type -100 ~ +420 °C 低温型 Low temperature type -196 ~ -29 °C
填料 Packing	V型聚四氟乙烯 V-PTFE 柔性石墨 Flexible Graphite
泄漏量 Seat leakage	硬密封 Hard seal: IV级, V级
涂层 Painting color	按要求 As required 不锈钢阀体不涂漆 Stainless steel body have no paint

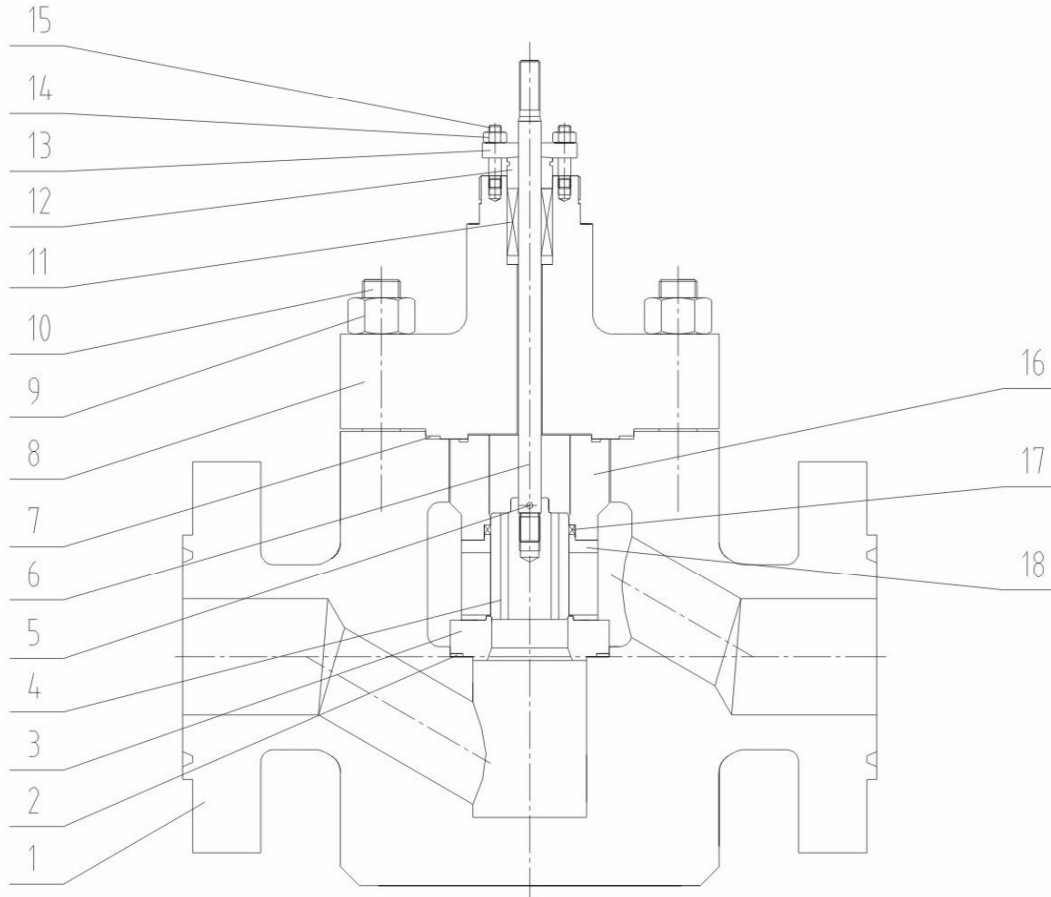
执行机构 ACTUATOR

	薄膜式 Diaphragm type	活塞式 Piston type	全电子式 Solid state electronic type	电动式 Electrodynamic	温度调节 电动执行机构 Temperature regulating electric actuator
用途 Use	调节、开关	调节、开关	调节	开关	调节
弹簧范围 Spring range	80~240KPa	100~300KPa	—	—	—
气源 / 电源 Air supply or power supply	0.4MPa	0.4 ~ 0.6MPa	220V.AC 50Hz 380V.AC 50Hz	220V.AC 50Hz 380V.AC 50Hz	220V.AC 50Hz
接口 Connection	Rc1/4", Rc3/8"	Rc1/4", Rc1/2", Rc3/8"	配线 :2-G1/2"	配线 :2-G1/2"	M27 × 2 (温度传感器接头)
正作用 Direct action	气压增加阀闭 Air to valve shut	气压增加阀闭 Air to valve shut	输入信号增加阀闭 Signal increase to vavle shut	输入信号增加阀闭 Signal increase to vavle shut	输入信号增加阀闭 Signal increase to vavle shut
反作用 Reverse action	气压增加阀开 Air to valve open	气压增加阀开 Air to valve open	输入信号增加阀开 Signal increase to vavle open	输入信号增加阀开 Signal increase to vavle open	输入信号增加阀开 Signal increase to vavle open
死区 Dead band	≤ 1% (带定位器)		≤ 1%	≤ 1%	≤ 1%
回差 Hysteresis	≤ 1.5% (带定位器)		≤ 1.5%	≤ 1.5%	≤ 1.5%
环境温度 Ambient Temp.	-10 ~ +70 °C		-10 ~ +60 °C		-10 ~ +50 °C
可选阀门附件 Optional valve attachment	电气阀门定位器, 过滤减压器, 电磁阀, 限位开关, 保位阀, 手动装置 Electrical valve positioner, filter pressure reducer, solenoid valve, Limit switch, position saving valve, manual device		微动开关、电位器、空间加热器、接线盒、手动手柄等 Microswitch, potentiometer, space heater, junction box, manual handle, etc		

额定Cv RATED CV

公称通径 Body size		25	32	40	50	65	80	100	125	150	200
额定 Cv Rated Cv	线性 L	15	22	38	60	93	150	220	320	450	750
	等百分比 EQ	14	20	35	55	85	136	200	280	420	700
行程 Stroke		16	25			40			60		

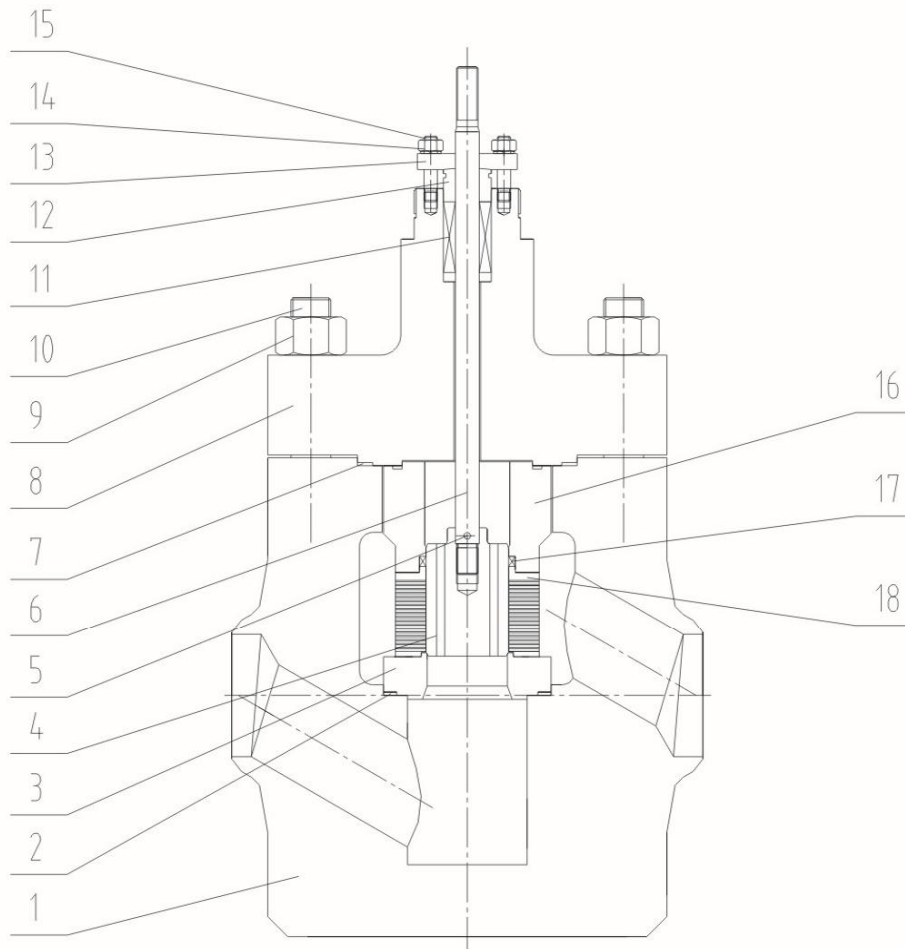
阀体结构 BODY CONSTRUCTION



09

笼式单座平衡式结构 Cage type single seat balanced structure

序号 NO	名称 Name	序号 NO	名称 Name
1	阀体 Body	10	双头螺柱 Double end studs
2	垫圈 Gasket	11	填料 Packing
3	阀座 Seat	12	压套 Pressing sleeve
4	阀芯 Plug	13	压板 Pressure plate
5	圆柱销 Straight pin	14	六角螺母 Nut
6	阀杆 Stem	15	双头螺柱 Double end studs
7	垫圈 Gasket	16	压套 Pressing sleeve
8	阀盖 Bonnet	17	密封环 Sealing ring
9	六角螺母 Nut	18	套筒 Cage



迷宫平衡式结构 Maze balanced structure

序号 NO	名称 Name	序号 NO	名称 Name
1	阀体 Body	10	双头螺柱 Double end studs
2	垫圈 Gasket	11	填料 Packing
3	阀座 Seat	12	压套 Pressing sleeve
4	阀芯 Plug	13	压板 Pressure plate
5	圆柱销 Straight pin	14	六角螺母 Nut
6	阀杆 Stem	15	双头螺柱 Double end studs
7	垫圈 Gasket	16	压套 Pressing sleeve
8	阀盖 Bonnet	17	密封环 Sealing ring
9	六角螺母 Nut	18	套筒 Cage

最大允许压差(单位: MPa)
MAXIMAL ALLOWABLE PRESSURE DROPS (UNIT: MPa)

气动薄膜执行机构 Diaphragm actuator

正作用 (单位 :MPa) Direct action (UNIT: MPa)

执行机构 Actuator	弹簧范围 KPa Spring range	气源压力 MPa Air pressure	密封形式 Sealing form	阀座直径 Seat Size											
				25	32	40	50	65	80	100	125	150	200		
HD2	80-240	0.40	金属密封 Hard seal	10	10	8.63	7.06								
HD3	80-240	0.40	金属密封 Hard seal					8.58	7.06	5.72					
HD4	80-240	0.40	金属密封 Hard seal								6.89	5.78	4.37		

09

气动薄膜执行机构 Diaphragm actuator

反作用 (单位 :MPa) Reverse action (UNIT: MPa)

执行机构 Actuator	弹簧范围 KPa Spring range	气源压力 MPa Air pressure	密封形式 Sealing form	阀座直径 Seat Size											
				25	32	40	50	65	80	100	125	150	200		
HR2	80-240	0.40	金属密封 Hard seal	10	9.08	7.46	6.11								
HR3	80-240	0.40	金属密封 Hard seal					7.4	6.11	4.94					
HR4	80-240	0.40	金属密封 Hard seal								6.89	5.78	4.37		

注: 1、阀门实际上允许压差应不超过各压力等级下阀门所允许使用的最大压力;

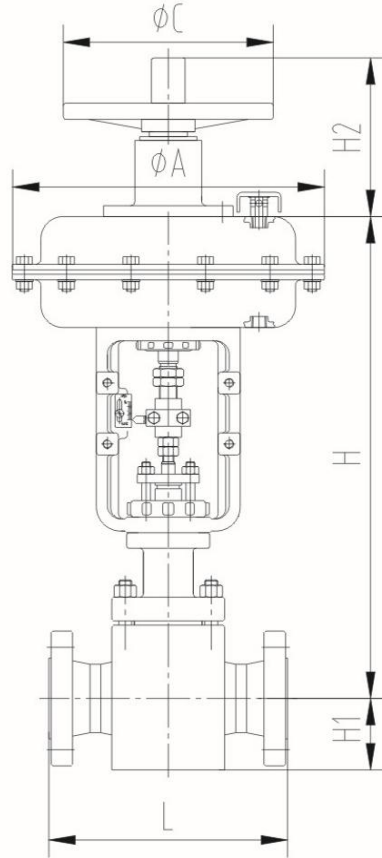
2、波纹管密封调节阀的允许压差应不超过波纹管所允许的最大使用压力。

Note: 1. The actual allowable differential pressure of the valve should not exceed the maximum allowable pressure of the valve under each pressure level;

2. The allowable differential pressure of bellows sealing regulating valve should not exceed the maximum allowable use pressure of bellows.

外形尺寸DIMENSIONS

气动薄膜式 Diaphragm type



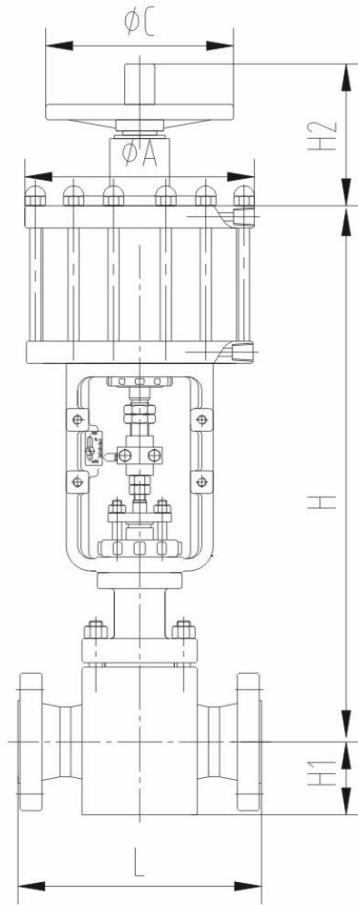
标准型、散热型、波纹管密封型外形尺寸 单位：mm
Standard type, Fin-Extension type, Bellows seal type (UNIT: mm)

公称口径 Body size		L		H			H1	A	C	H2
DN	IN	PN250 1500LB	PN420 2500LB	标准型 Standard type	散热型 Fin- Extension type	波纹管型 Bellows seal type				
25	1"	184	197	515	595	645	70	282	220	180
32	1-1/4"	200	210	527	607	707	80	282	220	180
40	1-1/2"	222	235	547	627	727	90	282	220	180
50	2"	254	267	575	655	755	95	282	220	180
65	2-1/2"	276	292	655	735	925	115	355	270	240
80	3"	298	318	660	740	930	125	355	270	240
100	4"	352	368	690	770	960	135	355	270	240
125	5"	403	425	925	1005	1290	165	470	320	310
150	6"	451	473	940	1020	1350	190	470	320	310
200	8"	543	568	1000	1080	1410	200	470	320	310

注：手轮机构为非标配阀门附件，可按客户要求选配

Note: handwheel mechanism is not standard with valve accessories, can be selected according to customer requirements.

气动活塞式 Piston type



标准型、散热型、波纹管密封型外形尺寸 单位：mm
 Standard type, Fin-Extension type, Bellows seal type (UNIT: mm)

公称口径 Body size		L		H			H1	A	C	H2
DN	IN	PN250 1500LB	PN420 2500LB	标准型 Standard type	散热型 Fin- Extension type	波纹管型 Bellows seal type				
25	1"	184	197	495	575	650	70	150	220	180
32	1-1/4"	200	210	560	640	760	80	200	220	180
40	1-1/2"	222	235	570	650	775	90	200	220	180
50	2"	254	267	605	685	790	95	200	220	180
65	2-1/2"	276	292	705	790	1040	115	215	270	240
80	3"	298	318	710	800	1050	125	215	270	240
100	4"	352	368	740	820	1050	135	215	270	240
125	5"	403	425	895	980	1260	165	325	320	310
150	6"	451	473	980	1080	1320	190	325	320	310
200	8"	543	568	1000	1080	1410	200	470	320	310

注：手轮机构为非标配阀门附件，可按客户要求选配

Note: handwheel mechanism is not standard with valve accessories, can be selected according to customer requirements.

BR.W67系列低温铝角调节阀 BR.W67 Series low temperature aluminum Angle control valve

阀本体 VALVE BODY

型式 Type	压力不平衡型 Pressure not balance type
公称通径 Body size	15 ~ 200 mm(1/2" ~ 8")
阀芯型式 Plug style	柱塞式 Plunger type
流量特性 Characteristics	等百分比, 线性 Equal percentage, linear
可调比 R Rangeability R	等百分比 Equal percentage 50:1 线性 Linear 50:1
公称压力 Body ratings	PN16,25,40,63,100; ANSI Class 150, 300,600
连接方式 Connections	焊接型 (BW) Weld ends (BW)
阀体及阀盖材质 Body & Bonnet Material	LF4
阀内件材质 Valve Trim materials	304;316; 316L 304+Stellite;316+Stellite; 316L+Stellite
上阀盖型式 Bonnet Type	低温型: -196 ~ -29 °C Low temperature type : -196 ~ -29 °C
填料 Packing	V 型聚四氟乙烯 V-PTFE 柔性石墨 Flexible Graphite
泄漏量 Seat leakage	硬密封 Hard seal: IV 级, V 级
涂层 Painting color	按要求 As required 不锈钢阀体不涂漆 Stainless steel body have no paint

执行机构 ACTUATOR

	薄膜式 Diaphragm type	活塞式 Piston type	全电子式 Solid state electronic type	电动式 Electrodynamic	温度调节 电动执行机构 Temperature regulating electric actuator
用途 Use	调节、开关	调节、开关	调节	开关	调节
弹簧范围 Spring range	80-240KPa	100-300KPa	—	—	—
气源 / 电源 Air supply or power supply	0.4MPa	0.4 ~ 0.6MPa	220V.AC 50Hz 380V.AC 50Hz	220V.AC 50Hz 380V.AC 50Hz	220V.AC 50Hz
接口 Connection	Rc1/4", Rc3/8"	Rc1/4", Rc1/2", Rc3/8"	配线 :2-G1/2"	配线 :2-G1/2"	M27 × 2 (温度传感器接头)
正作用 Direct action	气压增加阀闭 Air to valve shut	气压增加阀闭 Air to valve shut	输入信号增加阀闭 Signal increase to vavle shut	输入信号增加阀闭 Signal increase to vavle shut	输入信号增加阀闭 Signal increase to vavle shut
反作用 Reverse action	气压增加阀开 Air to valve open	气压增加阀开 Air to valve open	输入信号增加阀开 Signal increase to vavle open	输入信号增加阀开 Signal increase to vavle open	输入信号增加阀开 Signal increase to vavle open
死区 Dead band	≤ 1% (带定位器)		≤ 1%	≤ 1%	≤ 1%
回差 Hysteresis	≤ 1.5% (带定位器)		≤ 1.5%	≤ 1.5%	≤ 1.5%
环境温度 Ambient Temp.	-10 ~ +70 °C		-10 ~ +60 °C		-10 ~ +50 °C
可选阀门附件 Optional valve attachment	电气阀门定位器, 过滤减压器, 电磁阀, 限位开关, 保位阀, 手动装置 Electrical valve positioner, filter pressure reducer, solenoid valve, Limit switch, position saving valve, manual device		微动开关、电位器、空间加热器、接线盒、手动手柄等 Microswitch, potentiometer, space heater, junction box, manual handle, etc		

额定Cv RATED CV

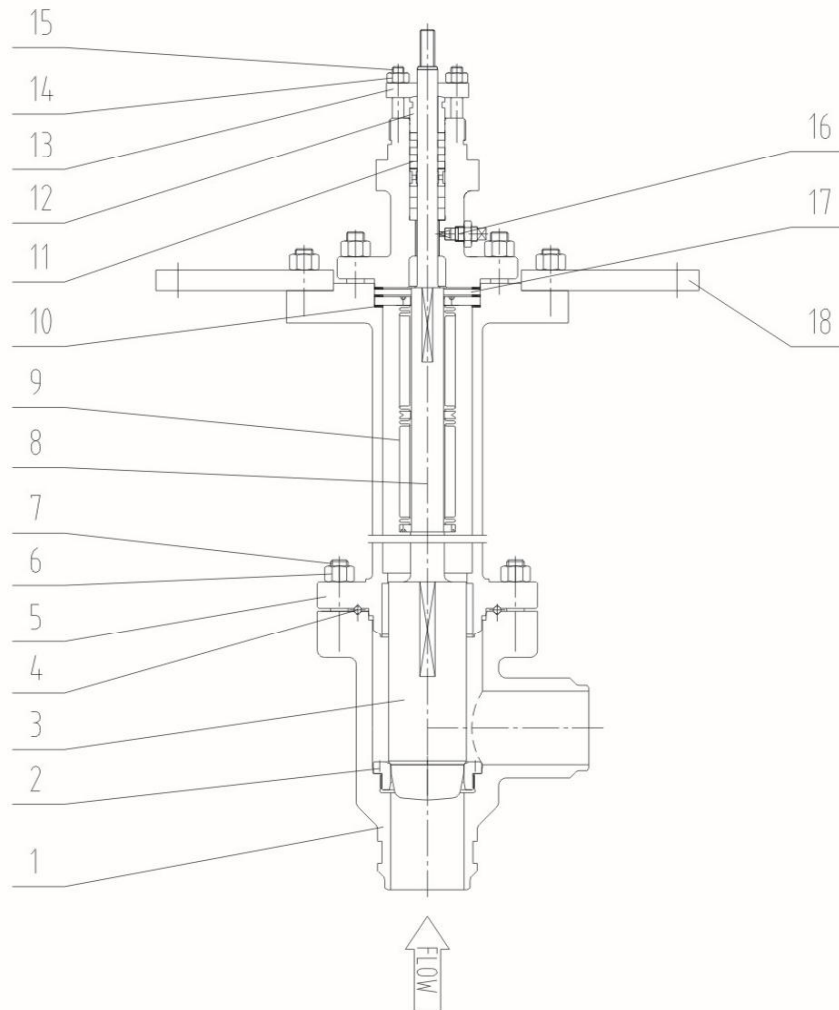
公称口径 Body size		15 20 25										32	40	50	65	80	100	125	150	200
		6	7	8	9	10	12	15	20	25										
额定 Cv Rated Cv	线性 L	0.37	0.58	0.93	1.4	2.1	3.3	5.1	8	13	20	33	52	80.5	129	198	319	517	805	
	等百分比 EQ	0.34	0.53	0.85	1.3	1.9	2.9	4.7	7.4	12	18	30	47	73.5	117	180	290	470	735	
行程 Stroke		16										25		40		60				

流量特性 FLOW CHARACTERISTICS

阀门开度 % valve opening %			10	20	30	40	50	60	70	80	90	100	
FL			0.93	0.93	0.93	0.93	0.93	0.92	0.92	0.91	0.91	0.90	
阀门口径 Body size	阀座直径 Seat Size	行程 Stroke	线性 Cv Linear Cv										
15 & 20 & 25	6	16	0.04	0.08	0.12	0.15	0.20	0.22	0.26	0.30	0.33	0.37	
	7		0.07	0.13	0.18	0.24	0.30	0.35	0.41	0.47	0.52	0.58	
	8		0.11	0.20	0.29	0.38	0.47	0.57	0.66	0.75	0.84	0.93	
	9		0.17	0.30	0.44	0.58	0.71	0.85	1.00	1.12	1.26	1.4	
	10		0.25	0.45	0.66	0.87	1.07	1.28	1.48	1.69	1.89	2.1	
	12		0.39	0.71	1.04	1.36	1.68	2.01	2.33	2.65	2.98	3.3	
	15		0.60	1.10	1.60	2.10	2.60	3.10	3.60	4.10	4.60	5.1	
	20		0.94	1.73	2.51	3.30	4.08	4.86	5.65	6.43	7.22	8	
25	1.53	2.81	4.08	5.36	6.63	7.90	9.18	10.45	11.70	13			
32	32	25	2.36	4.32	6.28	8.24	10.20	12.16	14.12	16.08	18.04	20	
40	32		2.36	4.32	6.28	8.24	10.20	12.16	14.12	16.08	18.04	20	
	40		3.89	7.13	10.36	13.60	16.83	20.02	23.30	26.50	29.80	33	
50	32		2.36	4.32	6.28	8.24	10.20	12.16	14.12	16.08	18.04	20	
	40		3.89	7.13	10.36	13.60	16.83	20.02	23.30	26.50	29.80	33	
	50		6.14	11.23	16.33	21.40	26.52	31.62	36.70	41.81	46.90	52	
65	65		40	9.50	17.39	25.28	33.17	41.05	48.94	56.80	64.70	72.60	80.5
80	65			9.50	17.39	25.28	33.17	41.05	48.94	56.80	64.70	72.60	80.5
	80	15.22		27.86	40.50	53.15	65.79	78.43	91.07	103.7	116.4	129	
100	65	9.50		17.39	25.28	33.17	41.05	48.94	56.80	64.70	72.60	80.5	
	80	15.22		27.86	40.50	53.15	65.79	78.43	91.07	103.7	116.4	129	
	100	23.36		42.77	62.17	81.58	100.1	120.4	139.8	159.2	178.6	198	
125	125	60	37.64	68.90	100.2	131.4	162.7	194.0	225.2	256.5	287.7	319	
150	125		37.64	68.90	100.2	131.4	162.7	194.0	225.2	256.5	287.7	319	
	150		61.00	111.7	162.3	213.0	263.7	314.3	365.0	415.7	466.3	517	
200	125		37.64	68.90	100.2	131.4	162.7	194.0	225.2	256.5	287.7	319	
	150		61.00	111.7	162.3	213.0	263.7	314.3	365.0	415.7	466.3	517	
	200		95.00	174.0	253.0	332.0	411.0	489.0	568.0	647.0	726.0	805	

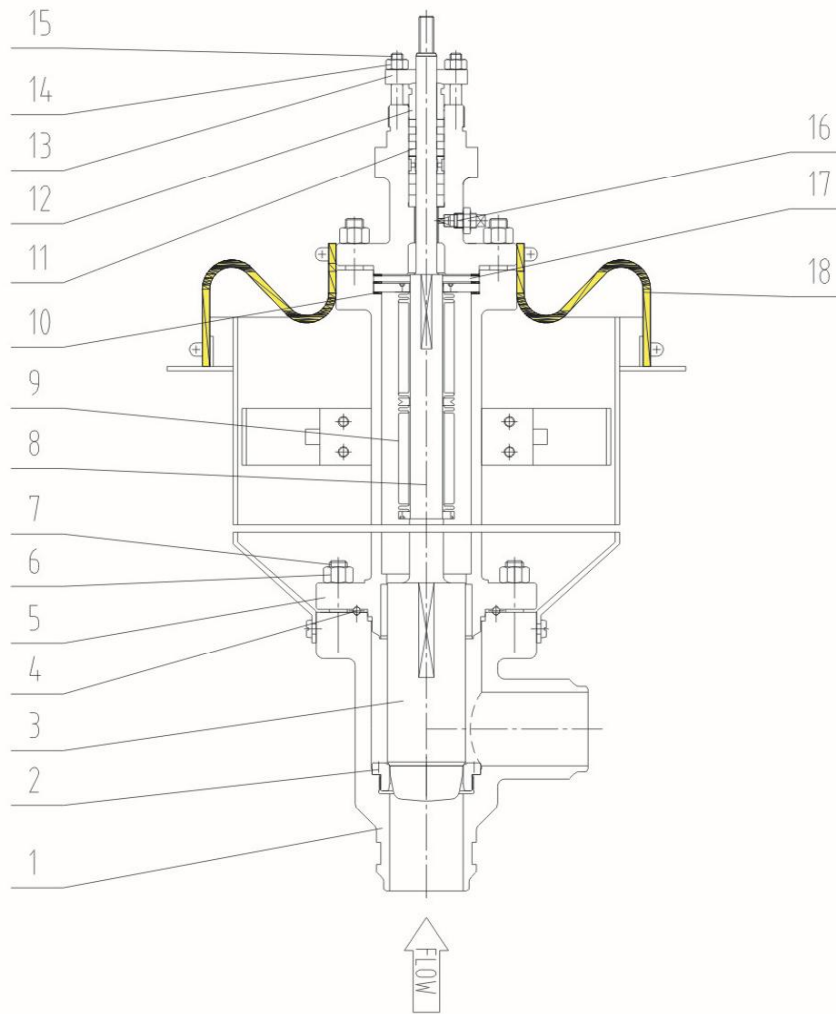
阀门开度 % valve opening %			10	20	30	40	50	60	70	80	90	100	
FL			0.93	0.93	0.93	0.93	0.93	0.92	0.92	0.91	0.91	0.90	
阀门口径 Body size	阀座直径 Seat Size	行程 Stroke	等百分比 Cv Equal percent Cv										
15 & 20 & 25	6	16	0.008	0.011	0.015	0.032	0.05	0.07	0.11	0.16	0.23	0.34	
	7		0.016	0.023	0.034	0.05	0.08	0.11	0.16	0.24	0.36	0.53	
	8		0.03	0.04	0.06	0.08	0.12	0.18	0.26	0.39	0.57	0.85	
	9		0.04	0.06	0.08	0.12	0.18	0.27	0.40	0.59	0.88	1.3	
	10		0.06	0.08	0.12	0.18	0.27	0.40	0.59	0.87	1.28	1.9	
	12		0.09	0.13	0.19	0.28	0.41	0.61	0.90	1.33	1.96	2.9	
	15		0.14	0.21	0.30	0.45	0.67	0.98	1.45	2.15	3.18	4.7	
	20		0.22	0.32	0.478	0.71	1.046	1.55	2.29	3.38	5.00	7.4	
	25		0.35	0.525	0.78	1.14	1.70	2.51	3.71	5.49	8.11	12	
32	32	25	0.53	0.79	1.16	1.72	2.54	3.76	5.56	8.23	12.17	18	
40	32		0.53	0.79	1.16	1.72	2.54	3.76	5.56	8.23	12.17	18	
	40		0.90	1.31	1.94	2.87	4.24	6.27	9.28	13.72	20.89	30	
50	32		0.53	0.79	1.16	1.72	2.54	3.76	5.56	8.23	12.17	18	
	40		0.90	1.31	1.94	2.87	4.24	6.27	9.28	13.72	20.89	30	
	50		1.39	2.05	3.04	4.49	6.65	9.83	14.53	21.49	31.78	47	
65	65		40	2.17	3.21	4.75	7.03	10.39	15.37	22.73	33.60	49.70	73.5
80	65			2.17	3.21	4.75	7.03	10.39	15.37	22.73	33.60	49.70	73.5
	80	3.46		5.11	7.56	11.19	16.54	24.46	36.18	53.50	79.12	117	
100	65	2.17		3.21	4.75	7.03	10.39	15.37	22.73	33.60	49.7	73.5	
	80	3.46		5.11	7.56	11.19	16.54	24.46	36.18	53.50	79.12	117	
	100	5.32		7.87	11.64	17.21	25.45	37.64	55.66	82.31	121.7	180	
125	125	60		8.57	12.68	18.75	27.73	41.04	60.64	89.68	132.6	196.1	290
150	125			8.57	12.68	18.75	27.73	41.04	60.64	89.68	132.6	196.1	290
	150		13.90	20.55	30.40	44.95	66.47	98.29	145.3	214.9	317.8	470	
200	125		8.57	12.68	18.75	27.73	41.00	60.64	89.68	132.6	196.1	290	
	150		13.90	20.55	30.40	44.95	66.47	98.29	145.3	214.9	317.8	470	
	200		23.80	35.20	52.00	77.00	113.8	168.0	249.0	368.0	544.0	735	

阀体结构 BODY CONSTRUCTION



连接板安装结构 Connecting plate mounting structure

序号 NO	名称 Name	序号 NO	名称 Name
1	阀体 Body	10	垫圈 Gasket
2	阀座 Seat	11	填料 Packing
3	阀芯 Plug	12	压套 Pressing sleeve
4	金属垫 Metal pads	13	压板 Pressure plate
5	阀盖 Bonnet	14	六角螺母 Nut
6	六角螺母 Nut	15	双头螺柱 Double end studs
7	双头螺柱 Double end studs	16	针阀 Needle Valve
8	阀杆 Stem	17	防转垫 Anti-rotating mat
9	波纹管 Bellows	18	安装件 Assembling set



浮动套安装结构 Floating sleeve mounting structure

序号 NO	名称 Name	序号 NO	名称 Name
1	阀体 Body	10	垫圈 Gasket
2	阀座 Seat	11	填料 Packing
3	阀芯 Plug	12	压套 Pressing sleeve
4	金属垫 Metal pads	13	压板 Pressure plate
5	阀盖 Bonnet	14	六角螺母 Nut
6	六角螺母 Nut	15	双头螺柱 Double end studs
7	双头螺柱 Double end studs	16	针阀 Needle Valve
8	阀杆 Stem	17	防转垫 Anti-rotating mat
9	波纹管 Bellows	18	安装件 Assembling set

最大允许压差(单位: MPa)
MAXIMAL ALLOWABLE PRESSURE DROPS (UNIT: MPa)

气动薄膜执行机构 Diaphragm actuator

正作用 (单位 :MPa) Direct action (UNIT: MPa)

执行机构 Actuator	弹簧范围 KPa Spring range	气源压力 MPa Air pressure	密封形式 Sealing form	阀座直径 Seat Size										
				15	20	25	32	40	50	65	80	100	125	150
HD2	80-240	0.40	金属密封 Hard seal	9.9	7.84	5.68	3.8	2.73	1.73					
HD3	80-240	0.40	金属密封 Hard seal								1.37	0.98	0.57	
HD4	80-240	0.40	金属密封 Hard seal										0.66	0.46

气动薄膜执行机构 Diaphragm actuator

反作用 (单位 :MPa) Reverse action (UNIT: MPa)

执行机构 Actuator	弹簧范围 KPa Spring range	气源压力 MPa Air pressure	密封形式 Sealing form	阀座直径 Seat Size										
				15	20	25	32	40	50	65	80	100	125	150
HR2	80-240	0.40	金属密封 Hard seal	8.12	6.13	4.43	2.97	2.13	1.34					
HR3	80-240	0.40	金属密封 Hard seal								1.11	0.73	0.47	
HR4	80-240	0.40	金属密封 Hard seal										0.52	0.36

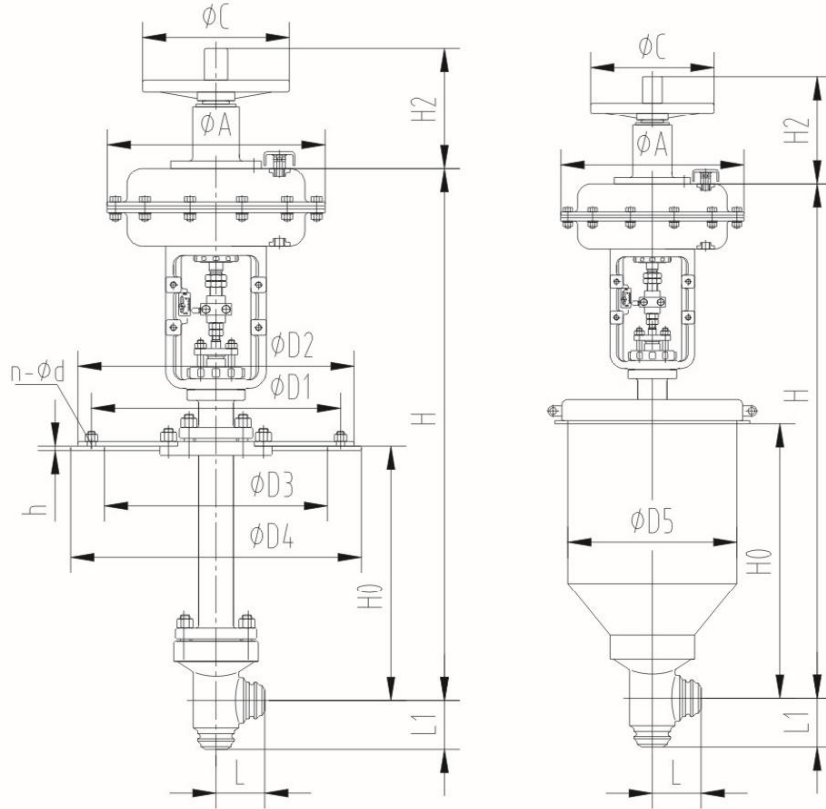
注: 1、阀门实际上允许压差应不超过各压力等级下阀门所允许使用的最大压力;
2、波纹管密封调节阀的允许压差应不超过波纹管所允许的最大使用压力。

Note: 1. The actual allowable differential pressure of the valve should not exceed the maximum allowable pressure of the valve under each pressure level;

2. The allowable differential pressure of bellows sealing regulating valve should not exceed the maximum allowable use pressure of bellows.

外形尺寸DIMENSIONS

气动薄膜式 Diaphragm type



低温型外形尺寸 单位：mm
 Low temperature type (UNIT: mm)

公称口径 Body size		L	L1	H0						D1	D2	D3	D4	D5	h	n-d	A	C	H2
				500	600	700	800	900	1000										
DN	IN	H																	
15	1/2"	75	75	930	1030	1130	1230	1330	1430	260	290	270	355	279	15	8-14	282	220	180
20	3/4"	75	75	930	1030	1130	1230	1330	1430	260	290	270	355	279	15	8-14	282	220	180
25	1"	75	75	930	1030	1130	1230	1330	1430	260	290	270	355	279	15	8-14	282	220	180
32	1-1/4"	75	75	950	1050	1150	1250	1350	1450	285	315	305	390	279	15	8-14	282	220	180
40	1-1/2"	85	85	950	1050	1150	1250	1350	1450	305	335	342	430	279	18	8-16	282	220	180
50	2"	110	110	955	1055	1155	1255	1355	1455	340	370	375	465	279	18	8-16	282	220	180
65	2-1/4"	160	150	1100	1200	1300	1400	1500	1600	370	400	430	520	460	18	10-16	355	270	240
80	3"	160	150	1100	1200	1300	1400	1500	1600	405	435	490	585	460	20	10-16	355	270	240
100	4"	170	160	1118	1218	1318	1418	1518	1618	460	490	556	600	460	20	12-18	355	270	240
125	5"	200	200	1228	1328	1428	1528	1628	1728	525	555	665	770	460	20	14-18	470	320	310
150	6"	220	220	1302	1402	1502	1602	1702	1802	590	630	665	770	460	20	16-18	470	320	310
200	8"	260	260	1336	1436	1536	1636	1736	1836	700	740	650	890	460	20	18-18	470	320	310

注：手轮机构为非标配阀门附件，可按客户要求选配。

Note: handwheel mechanism is not standard with valve accessories, can be selected according to customer requirements.

附录 Appendix

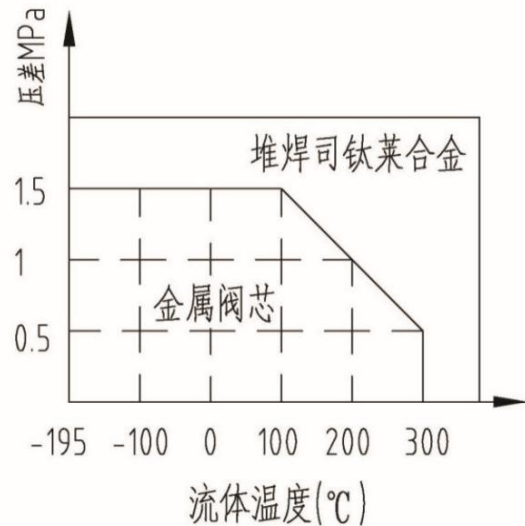
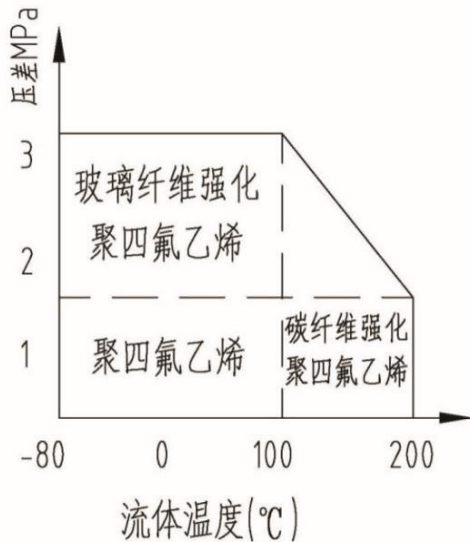
附录A: 阀体的使用温度·压力范围 Appendix A: Valve body temperature and pressure range

温度 (°C)	Class 150					Class 300					Class 600				
	SCPL1 LCB	SCPH2 WCB	SCPH21 WC6	SCS13A CF8	SCS14A CF8M	SCPL1 LCB	SCPH2 WCB	SCPH21 WC6	SCS13A CF8	SCS14A CF8M	SCPL1 LCB	SCPH2 WCB	SCPH21 WC6	SCS13A CF8	SCS14A CF8M
-196~38	-	-	-	1.90	1.90	-	-	-	4.95	4.95	-	-	-	9.91	9.92
-45~38	1.84	-	-	1.90	1.90	4.78	-	-	4.95	4.95	9.57	-	-	9.91	9.92
-5~38	1.84	1.96	1.99	1.90	1.90	4.78	5.10	5.16	4.95	4.95	9.57	10.20	10.32	9.91	9.92
50	1.81	1.92	1.92	1.84	1.84	4.72	5.00	5.10	4.77	4.80	9.46	10.01	10.22	9.56	9.62
100	1.72	1.76	1.76	1.56	1.61	4.51	4.63	4.88	4.08	4.21	9.02	9.27	9.74	8.17	8.43
150	1.57	1.57	1.57	1.39	1.47	4.40	4.51	4.63	3.62	3.85	8.78	9.04	9.26	7.26	7.69
200	1.40	1.40	1.40	1.25	1.37	4.26	4.38	4.54	3.27	3.56	8.54	8.75	9.09	6.54	7.12
250	1.20	1.20	1.20	1.16	1.20	4.05	4.16	4.44	3.04	3.34	8.11	8.33	8.88	6.10	6.67
300	1.01	1.01	1.01	1.01	1.01	3.76	3.87	4.23	2.91	3.15	7.54	7.74	8.48	5.80	6.32
350	0.84	0.84	0.84	0.84	0.84	3.59	3.69	4.01	2.81	3.03	7.18	7.38	8.04	5.60	6.07
375		0.73	0.73	0.73	0.73		3.64	3.88	2.77	2.96		7.28	7.75	5.54	5.93
400		0.64	0.64	0.64	0.64		3.44	3.65	2.74	2.91		6.89	7.31	5.48	5.81
425		0.55	0.55	0.55	0.55		2.88	3.50	2.71	2.87		5.74	7.01	5.42	5.72
440		0.47	0.47	0.47	0.47		1.99	3.38	2.68	2.81		4.00	6.75	5.37	5.61
475		0.37	0.37	0.37	0.37		1.35	3.16	2.65	2.73		2.70	6.32	5.30	5.46
500		0.28	0.28	0.28	0.28		0.88	2.77	2.60	2.67		1.75	5.55	5.20	5.37
525		0.18	0.18	0.18	0.18		0.51	2.02	2.19	2.57		1.03	4.04	4.77	5.15
538		0.13	0.15	0.15	0.15		0.34	1.63	2.18	2.53		0.72	3.26	4.55	5.06

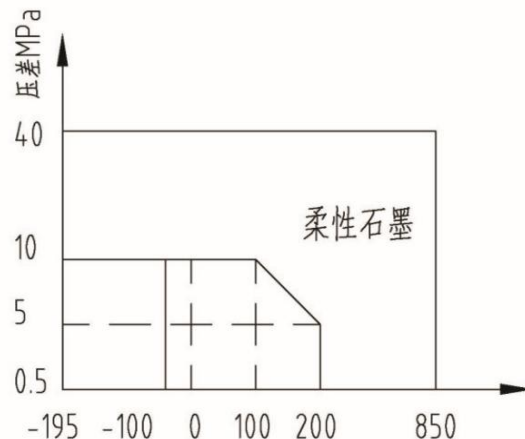
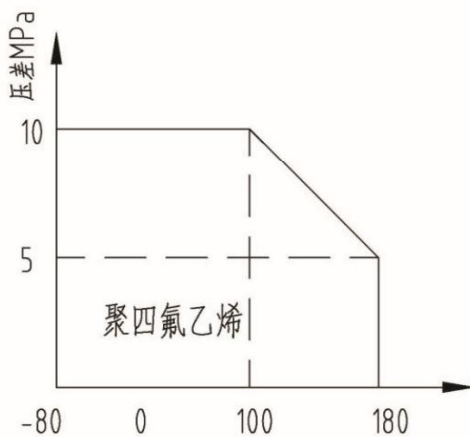
温度 (℃)	Class 900						Class 1500						Class 2500					
	SCPL1	SCPH2	SCPH21	SCPH32	SCS13A	SCS14A	SCPL1	SCPH2	SCPH21	SCPH32	SCS13A	SCS14A	SCPL1	SCPH2	SCPH21	SCPH32	SCS13A	SCS14A
	LCB	A105 WCB	F11 WC6	F22 WC9	F304 CF8	F316 CF8M	LCB	A105 WCB	F11 WC6	F22 WC9	F304 CF8	F316 CF8M	LCB	A105 WCB	F11 WC6	F22 WC9	F304 CF8	F316 CF8M
-196~38	-	-	-	-	14.88	14.88	-	-	-	-	24.79	24.79	-	-	-	-	41.33	41.34
-45~38	14.35	-	-	-	14.88	14.88	23.92	-	-	-	24.79	24.79	39.87	-	-	-	41.33	41.34
-5~38	14.35	15.31	15.50	15.50	14.88	14.88	23.92	25.51	25.84	25.84	24.79	24.79	39.87	42.52	43.07	43.07	41.33	41.34
50	14.18	15.01	15.33	15.35	14.34	14.43	23.64	25.02	25.55	25.58	23.90	24.04	39.40	41.70	42.59	42.64	39.84	40.07
100	13.52	13.90	14.62	14.70	12.25	12.65	22.53	23.16	24.36	24.50	20.42	21.09	37.56	38.62	40.61	40.85	34.01	35.14
150	13.18	13.56	13.90	13.98	10.89	11.54	21.96	22.60	23.18	23.30	18.16	19.24	36.60	37.66	38.61	38.84	30.26	32.07
200	12.79	13.14	13.63	13.45	9.82	10.69	21.32	21.89	22.73	22.40	16.37	17.83	35.53	36.50	37.88	37.35	27.28	29.71
250	12.17	12.51	13.33	13.26	9.15	10.02	20.28	20.84	22.22	22.10	15.26	16.68	33.80	34.75	37.03	36.83	25.43	27.80
300	11.30	11.61	12.72	12.72	8.71	9.49	18.84	19.36	21.20	21.20	14.52	15.80	31.40	32.26	35.33	35.33	24.20	26.34
350	10.78	11.08	12.06	12.06	8.42	9.12	17.96	18.46	20.11	20.11	14.02	15.20	29.95	30.78	33.51	33.51	23.36	25.36
375		10.94	11.63	11.63	8.32	8.91		18.22	19.38	19.38	13.86	14.84		30.37	32.32	32.32	23.12	24.74
400		10.34	10.98	10.98	8.23	8.72		17.24	18.28	18.28	13.72	14.55		28.73	30.47	30.47	22.87	24.25
425		8.62	10.53	10.53	8.14	8.59		14.37	17.54	17.54	13.57	14.32		23.94	29.23	29.23	22.63	23.87
440		6.01	10.13	10.13	8.06	8.42		10.02	16.89	16.89	13.42	14.03		16.68	28.16	28.16	22.37	23.38
475		4.06	9.50	9.50	7.97	8.20		6.76	15.82	15.82	13.27	13.67		11.28	26.36	26.36	22.13	22.79
500			8.33	8.33	7.81	8.05			13.89	13.89	13.02	13.40			23.15	23.15	21.71	22.34
525			6.08	6.58	7.15	7.73			10.12	10.96	11.94	12.89			16.88	18.26	19.88	21.47
550			3.83	4.91	6.54	7.49			6.38	8.17	10.91	12.48			10.63	13.63	18.17	20.79
575			2.55	3.51	6.02	7.22			4.24	5.85	10.04	12.04			7.08	9.74	16.72	20.07
600			1.75	2.29	5.01	6.43			2.94	3.82	8.35	10.71			4.90	6.36	13.92	17.85
625					3.92	5.48					6.54	9.12					10.89	15.20
650					3.16	4.23					5.25	7.06					8.75	11.76
675					2.33	3.78					3.88	6.31					6.45	10.53

附录B：阀内件、填料的使用温度·压力范围 Appendix B: Valve Trim、Packing temperature and pressure range

阀内件使用温度·压力范围 Valve Trim temperature and pressure range



填料的使用温度·压力范围 Packing temperature and pressure range



附录C：常用材料牌号对照表 Appendix C: Comparison table of commonly used material grades

材料	中国 GB	美国 ANSI ASTM	日本 JIS	德国 DIN
不锈钢 (棒材)	06CR19NI10	304,S30400	SUS 304	1.4301
	06CR17NI12MO2	316,S31600	SUS 316	1.4408
	022CR19NI10	304L,S30403	SUS 304L	1.4306
	022CR17NI12MO2	316L,S31603	SUS 316L	1.4404
	12CR13	410,S41000	SUS 410	1.4006
	05CR17NI4CUNB	630,S17400	SUS 630	
不锈钢 (铸件)	CF8	CF8	SCS13 、 SCS13A	
	CF8M	CF8M	SCS14 、 SCS14A	
	CF3	CF3		
	CF3M	CF3M		
碳钢 (铸件)	LCB	LCB		
	WCB	WCB	SCPH2	
	WCC	WCC	SCPH21	
	WC6	WC6		

附录D：常用材料选用表 Appendix D: Selection list of common materials

材料名称 流体名称	碳钢	铸钢	302 304 不锈钢	316 不锈钢	铜	蒙乃尔 合金 (Monel)	哈氏 合金 (HB)	哈氏 合金 (HC)	Duri- met- 20	钛材	钴基 合金 -6	416 不锈钢	440C 不锈钢	17-4 PH 不锈钢
乙醛	A	A	A	A	A	A	I、L	A	A	I、L	I、L	A	A	A
醋酸(气)	C	C	B	B	B	B	A	A	A	A	A	C	C	B
醋酸(气化)	C	C	A	A	A	A	A	A	A	A	A	C	C	B
醋酸(蒸汽)	C	C	A	A	B	B	I、L	A	B	A	A	C	C	B
丙酮	A	A	A	A	A	A	A	A	A	A	A	A	A	A
乙炔	A	A	A	A	I、L	A	A	A	A	I、L	A	A	A	A
醇	A	A	A	A	A	A	A	A	A	A	A	A	A	A
硫酸铅	C	C	A	A	B	B	A	A	A	A	I、L	C	C	I、L
氨	A	A	A	A	C	A	A	A	A	A	A	A	A	I、L
氯化铵	C	C	B	B	B	B	A	A	A	A	B	C	C	I、L
硝(酸)铵	A	C	A	A	C	C	A	A	A	A	A	C	B	I、L
磷酸铵(单基)	C	C	A	A	B	B	A	A	B	A	A	B	B	I、L
硫酸铵	C	C	B	A	B	A	A	A	A	A	A	C	C	I、L
亚硫酸铵	C	C	A	A	C	C	I、LA	A	A	A	A	B	B	I、L
苯胺	C	C	A	A	C	B	A	A	A	A	A	C	C	I、L
苯	A	A	A	A	A	A	A	A	A	A	A	A	A	A
苯甲酸	C	C	A	A	A	A	I、L	A	A	A	I、L	A	A	A
硼酸	C	C	A	A	A	A	A	A	A	A	A	B	B	I、L
丁烷	A	A	A	A	A	A	A	A	A	I、L	A	A	A	A
氯化钙	B	B	C	B	C	A	A	A	A	A	I、L	C	C	I、L
石炭酸	B	B	A	A	A	A	A	A	A	A	A	I、L	I、L	I、L
二氧化碳(干)	A	A	A	A	A	A	A	A	A	A	A	A	A	A
二氧化碳(湿)	C	C	A	A	B	A	A	A	A	A	A	A	A	A
二氧化碳	A	A	A	A	C	B	A	A	A	A	A	B	B	I、L
四氯化碳	B	B	B	B	A	A	B	A	A	A	I、L	C	A	I、L
碳酸	C	C	B	B	B	A	A	A	A	I、L	I、L	A	A	A
氯气(干)	A	A	B	B	B	A	A	A	A	C	B	C	C	C
氯气(湿)	C	C	C	C	C	C	C	B	C	A	B	C	C	C
氯气(液态)	C	C	C	C	B	C	C	A	B	C	B	C	C	C
铬酸	C	C	C	B	C	A	C	A	C	A	B	C	C	C
焦炉气	A	A	A	A	B	B	A	A	A	A	A	A	A	A
硫酸铜	C	C	B	B	B	C	I、L	A	A	A	I、L	A	A	A
乙烷	A	A	A	A	A	A	A	A	A	A	A	A	A	A
醚	B	B	A	A	A	A	A	A	A	A	A	A	A	A
氯乙烷	C	C	A	A	A	A	A	A	A	A	A	B	B	I、L
乙烯	A	A	A	A	A	A	A	A	A	A	A	A	A	A
乙二醇	A	A	A	A	A	A	I、L	I、L	A	I、L	A	A	A	A
氯化铁	C	C	C	C	C	C	C	B	C	A	B	C	C	I、L
甲醛	B	B	A	A	A	A	A	A	A	A	A	A	A	A
甲酸	I、L	C	B	B	A	A	A	A	A	C	B	C	C	B
氟里昂(湿)	B	B	B	A	A	A	A	A	A	A	A	I、L	I、L	I、L
氟里昂(干)	B	B	A	A	A	A	A	A	A	A	A	I、L	I、L	I、L
糖醇	A	A	A	A	A	A	A	A	A	A	A	B	B	I、L
汽油(精制)	A	A	A	A	A	A	A	A	A	A	A	A	A	A
盐酸(气化)	C	C	C	C	C	C	A	B	C	C	B	C	C	C
盐酸(游离)	C	C	C	C	C	C	A	B	C	C	B	C	C	C

材料名称 流体名称	碳钢	铸钢	302 304 不锈钢	316 不锈钢	铜	蒙乃尔 合金 (Monel)	哈氏 合金 (HB)	哈氏 合金 (HC)	Duri- met- 20	钛材	钴基 合金 -6	416 不锈钢	440C 不锈钢	17-4 PH 不锈钢
氢氟酸 (气化)	B	C	C	B	C	C	A	A	B	C	B	C	C	C
游氢氟酸 (离)	A	C	C	B	C	A	A	A	B	C	I、L	C	C	I、L
氢气	A	A	A	A	A	A	A	A	A	A	A	A	A	A
过氧化氢	I、L	A	A	A	C	A	B	B	A	A	I、L	B	B	I、L
硫化氢 (液体)	C	C	A	A	C	C	A	A	B	A	A	C	C	I、L
氢氧化镁	A	A	A	A	B	A	A	A	A	A	A	A	A	I、L
甲基 - 乙基甲酮	A	A	A	A	A	A	A	A	A	I、L	A	A	A	A
丁酮	A	A	A	A	A	A	A	A	A	I、L	A	A	A	A
天然气	A	A	A	A	A	A	A	A	A	A	A	A	A	A
硝酸	C	C	A	B	C	C	C	B	A	A	C	C	C	B
草酸	C	C	B	B	B	B	A	A	A	B	B	B	B	I、L
氧气	A	A	A	A	A	A	A	A	A	A	A	A	A	A
甲醇	A	A	A	A	A	A	A	A	A	A	A	A	B	A
石油润滑油 (精制)	A	A	A	A	A	A	A	A	A	A	A	A	A	A
磷酸 (气化)	C	C	A	A	C	C	A	A	A	B	A	C	C	I、L
磷酸 (游离)	C	C	A	A	C	B	A	A	A	B	A	C	C	I、L
磷酸蒸汽	C	C	B	B	C	C	A	I、L	A	B	C	C	I、L	
苦味酸	C	C	A	A	C	C	A	A	A	I、L	I、L	B	B	I、L
亚氯酸钾	B	B	A	A	B	B	A	A	A	A	I、L	C	C	I、L
氢氧化钾	B	B	A	A	B	A	A	A	A	A	I、L	B	B	I、L
丙烷	A	A	A	A	A	A	A	A	A	A	A	A	A	A
松香、松脂	B	B	A	A	A	A	A	A	A	I、L	A	A	A	A
醋酸钠	A	A	B	A	A	A	A	A	A	A	A	A	A	A
碳酸钠	A	A	A	A	A	A	A	A	A	A	A	B	B	A
氯化钠	C	C	B	B	A	A	A	A	A	A	A	B	B	B
铬酸钠	A	A	A	A	A	A	A	A	A	A	A	A	A	A
氢氧化钠	A	A	A	A	C	A	A	A	A	A	A	B	B	A
次氯酸钠	C	C	C	C	B-C	B-C	C	A	B	A	I、L	C	C	I、L
硫代硫酸钠	C	C	A	A	C	C	A	A	A	A	I、L	B	B	I、L
二氯化锡	B	B	C	A	C	B	A	A	A	A	I、L	C	C	I、L
硬脂酸	A	C	A	A	B	B	A	A	A	A	B	B	B	I、L
硫酸盐溶液	A	A	A	A	C	A	A	A	A	A	A	I、L	I、L	I、L
二硫化氧 (干)	A	A	A	A	A	A	B	A	A	A	A	B	B	I、L
二氧化硫 (干)	A	A	A	A	A	A	B	A	A	A	A	B	B	I、L
硫酸 (气化)	C	C	C	C	C	C	A	A	A	B	B	C	C	C
硫酸 (游离)	C	C	C	C	B	B	A	A	A	B	B	C	C	C
亚硫酸	C	C	B	B	B	C	A	A	A	A	B	C	C	I、L
焦油	A	A	A	A	A	A	A	A	A	A	A	A	A	A
三氟乙烯	B	B	B	A	A	A	A	A	A	A	A	B	B	I、L
松节油	B	B	A	A	A	B	A	A	A	A	A	A	A	A
醋	C	C	A	A	B	A	A	A	A	I、L	A	C	C	A
水 (锅炉供水)	B	C	A	A	C	A	A	A	A	A	A	B	A	A
水 (蒸馏水)	A	A	A	A	A	A	A	A	A	A	A	B	B	I、L
海水	B	B	B	B	A	A	A	A	A	A	A	C	C	A
氯化锌	C	C	C	C	C	C	A	A	A	A	B	C	C	I、L
硫酸锌	C	C	A	A	B	A	A	A	A	A	A	B	B	I、L

注： A— 推荐使用； B— 小心使用； C— 不能使用； I、L— 缺乏资料。

Note: A— Recommended; B— Use with care; C— unusable; I, L— Lack of information.

附录E:型号编制说明 Appendix E: Model specification

型号编制 Model establishment

BR.W6

1	2	3	-4	5	6	7	8	9	10	11
---	---	---	----	---	---	---	---	---	----	----

型号简易编制 Simple model formulation

BR.W6

1	2	3	-4	5
---	---	---	----	---

1 代号	阀门类型			5 代号	作用方式		C	碳钢 (WCB WCC)	
1	单座调节阀			K	气开		P	不锈钢 (CF8 CF3)	
2	小流量调节阀			B	气关		R	不锈钢 (CF8M CF3M)	
3	三通调节阀			T	电动		W	铬钼钢 (WC6 WC9)	
4	套筒调节阀			S	手动		F	衬氟 / 衬胶 (F46 EPDM)	
6	阶梯、迷宫降压调节阀			X	其他特殊要求		X	其他特殊要求	
7	角形调节阀			6	公称通径		10	内件材质	
X	其他特殊要求			代号	mm	代号	Inch		
2 代号	结构型式			15	15	1/2	1/2	1	不锈钢
P	顶部导向型			20	20	3/4	3/4	2	不锈钢 / 堆焊 STL
G	平衡式单座型 (笼式单座)			25	25	1	1	3	不锈钢 / 热处理
M	平衡式双座型			32	32	1-1/4	1-1/4	4	不锈钢 / PTFE
W	低噪音型			40	40	1-1/2	1-1/2	5	衬氟 / 衬胶
D	多级压降型			50	50	2	2	X	其他特殊要求
J	阶梯 / 迷宫型			65	65	2-1/2	2-1/2	11	特殊要求
F	衬氟型			80	80	3	3	代号	
T	三通分流型			100	100	4	4	C	特殊涂层
Q	三通合流型			125	125	5	5	N	NACE
X	其他特殊要求			150	150	6	6	O	禁油禁水
3 代号	阀盖型式			200	200	8	8	T	禁铜
1	标准型			250	250	10	10	X	其他特殊要求
2	散热型			300	300	12	12		
3	低温型			400	400	16	16		
4	波纹管密封型			7	连接型式				
5	夹套保温型			代号	法兰式				
X	其他特殊要求			F	焊接式				
4	公称压力			W	螺纹式				
代号	Mpa	代号	Class	M	其他特殊要求				
10	1.0	A1	150	X	执行机构				
16	1.6	A3	300	8	气动薄膜式				
25	2.5	A4	400	代号	气动活塞式				
40	4.0	A6	600	M	电动式				
63	6.3	A9	900	Z	手动式				
100	10.0	A15	1500	D	其他特殊要求				
160	16.0	A25	2500	S	阀体材质				
320	32.0			X	代号				

BR.W61P1-25K50FMC1O

BR.W61 系列标准型单座调节阀, 公称压力 PN25, 气开型, 公称通径 DN50, 法兰连接, 气动薄膜式执行机构, 阀体材质碳钢, 内件材质不锈钢, 禁油禁水处理。

BR.W61 series standard single seat regulating valve, nominal pressure PN25, gas open, nominal diameter DN50, flange connection, pneumatic film actuator, body material carbon steel, inner material stainless steel, oil and water treatment.

BR.W64M1-100K

BR.W64 系列标准型套筒调节阀, 公称压力 PN100, 气开型。

Br.W64 series standard cage control valve, nominal pressure PN100, air open type.

浙江蓝圣智能装备有限公司

ZHEJIANG LASEN INTELLIGENT EQUIPMENT CO.,LTD

地 址：浙江省杭州市富阳区场口工业区马山路15号

邮 编：311411

传 真：0571-23291611

电 话：0571-23252111

网 址：www.lasen.com.cn

E-mail: hzlasen@lasen.com.cn